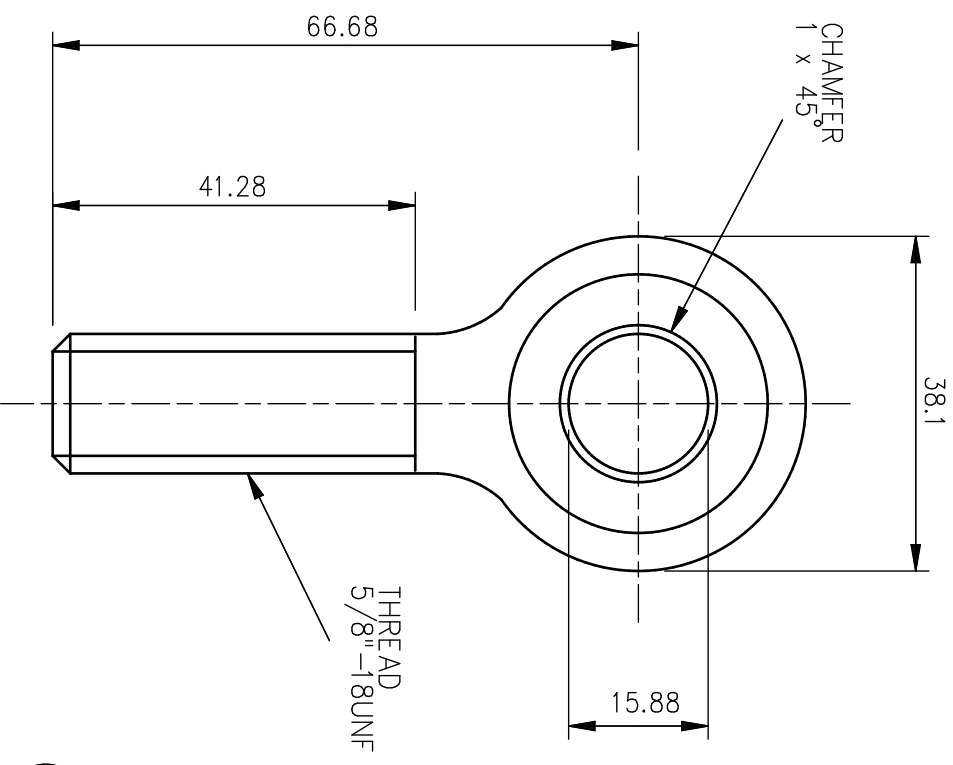
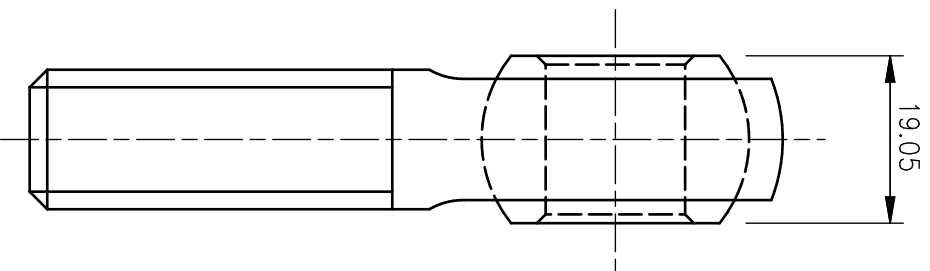


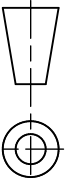

A B C D E F G H I J



PART A-RE0.625-2N
(SUPPLIED WITH LOCKNUT)



IT IS THE SUPPLIERS RESPONSIBILITY TO ENSURE THAT THIS DRG.No. AND REVISION MATCHES THAT OF THE OFFICIAL ORDER AND/OR AMENDMENT

PT Ltd.
www.pt-q1obal.com

ROD END BEARING A-RE0.625-2N

| | | |
|---------------------|------------------------------|-------------------------------|
| UNITS: mm | ISSUED: | CHANGE: VARIOUS |
| SCALE: NOT TO SCALE | DRAWN: 29-03-1996 | REVISION: 01 DATE: 22-10-2013 |
| CHKD: | DWG. No: ACC\APLINA-RE0625-2 | |

...better value by design