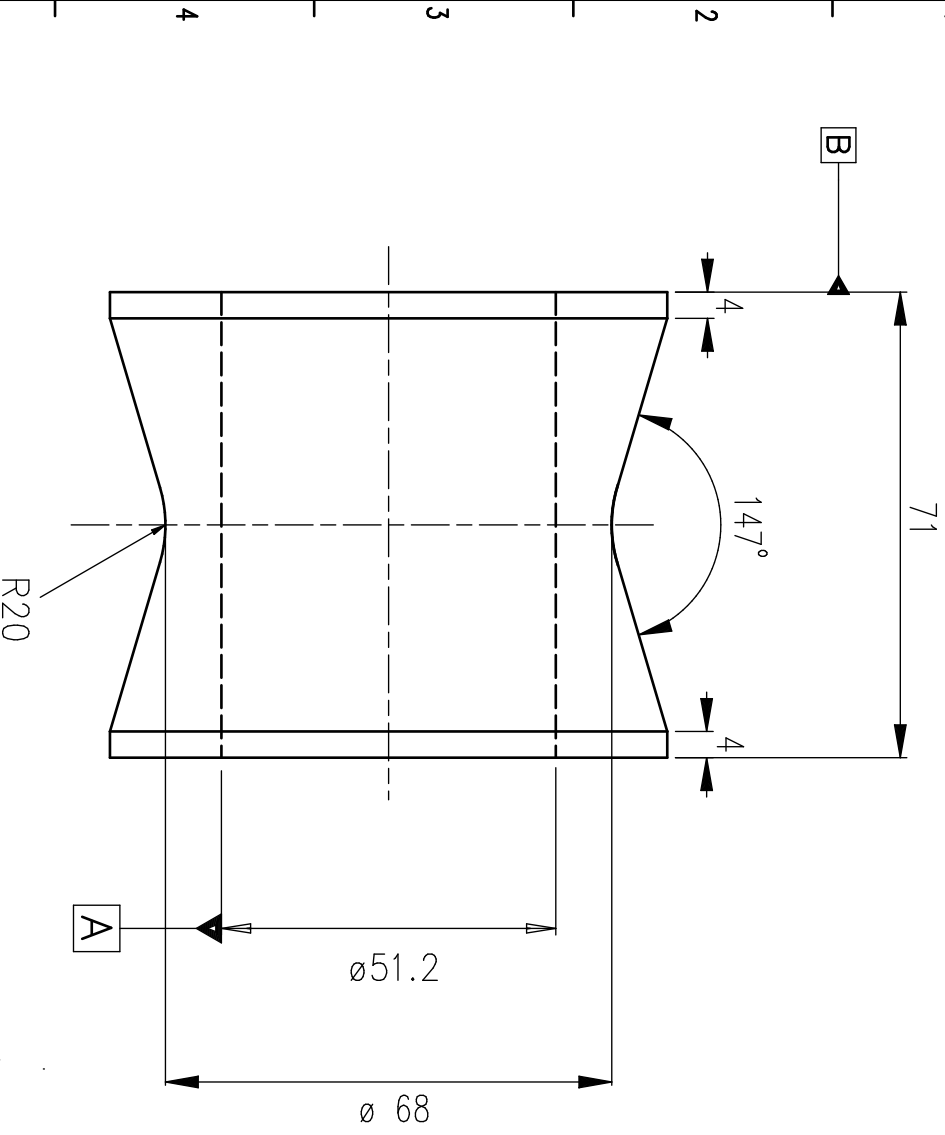
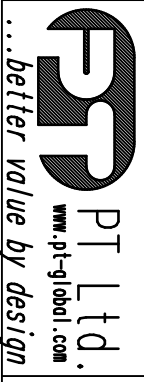


IMPORTANT
DESTROY ALL
PREVIOUS ISSUES.



MATERIAL: STAINLESS STEEL 304
PART SLEE025TS000XX



SLSP 25t V SLEEVE

UNITS: mm	ISSUED:	CHANGE:
SCALE: NTS	DRAWN: 16-02-06	REVISION: 03 DATE: 22-05-2012
CHKD: sme	APPROVED:	DWG.No: SLSP\LLPVS25D