



P113 Advanced digital Weight transmitters



GENERAL FEATURES

- Up to 100 measurements per second
- 8,000,000 internal resolutions
- Up to 100000 scale divisions
- Up to 6x 350 Ω load cells
- Weighing functions: Zeroing & taring, power-on zero, AZT, net indication at power on, motion detection.
- Industrial design with small size and standard DIN rail mounting
- vCal Electronic calibration from PC
- Programmable via PC
- RS-232C for AzCom connection
- 11 - 28 VDC supply

APPLICATIONS

- Process and industrial weighing (silos, tanks, hoppers, etc.)
- Bi-directional force measurement
- Testing laboratories

SYSTEM INTEGRATION

- RS-232C, RS485
- Ethernet TCP/IP
- Modbus RTU
- Modbus TCP
- Profibus
- Profinet
- EtherNet/IP
- EtherCAT
- CANopen



HPT Pressure Transducers

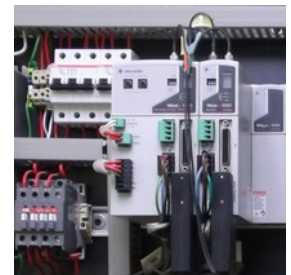
... Azure Signature Series!

The PT113 digital transmitter family is designed for static or dynamic weighing, force and pressure measurement processes to provide fast and accurate digital data through RS-232C, RS-485, Ethernet TCP/IP and fieldbus systems such as PROFIBUS, Modbus TCP, Modbus RTU, PROFINET, EtherNet/IP, EtherCAT and CANopen.

Weighing functions such as Zeroing, Taring, Power-On zero, Net indication at power on, Motion detection, etc. are integrated into PT113 transmitters.

The PT113 has configurable vibration suppressing digital filter settings, calibration with a calibration weight or by electronic calibration without calibration weights (vCal) via PT AzCom software.

DIN rail type enclosures provide easy mounting in control cabinets.



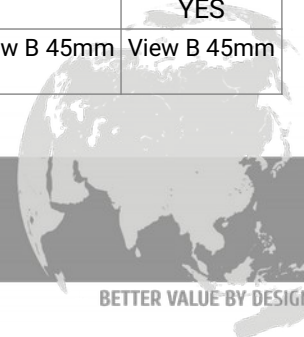
Accupoint weigh module

Model Selection

Feature	PT113MB	PT113EN	PT113PB	PT113PN	PT113EI	PT113EC	PT113CO
RS-232C	1 port	1 port	1 port	1 port	1 port	1 port	1 port
RS-485	1 port						
ModBus	RTU on RS-485	TCP on Ethernet					
Ethernet		YES					
PROFIBUS (DP V1)			YES				
PROFINET				YES			
EtherNet/IP					YES		
EtherCAT						YES	
CANopen							YES
DIN mounting Width.	View A 22.5mm	View B 45mm	View B 45mm	View B 45mm	View B 45mm	View B 45mm	View B 45mm



ESTABLISHED
IN
1979



PT113 SPECIFICATIONS

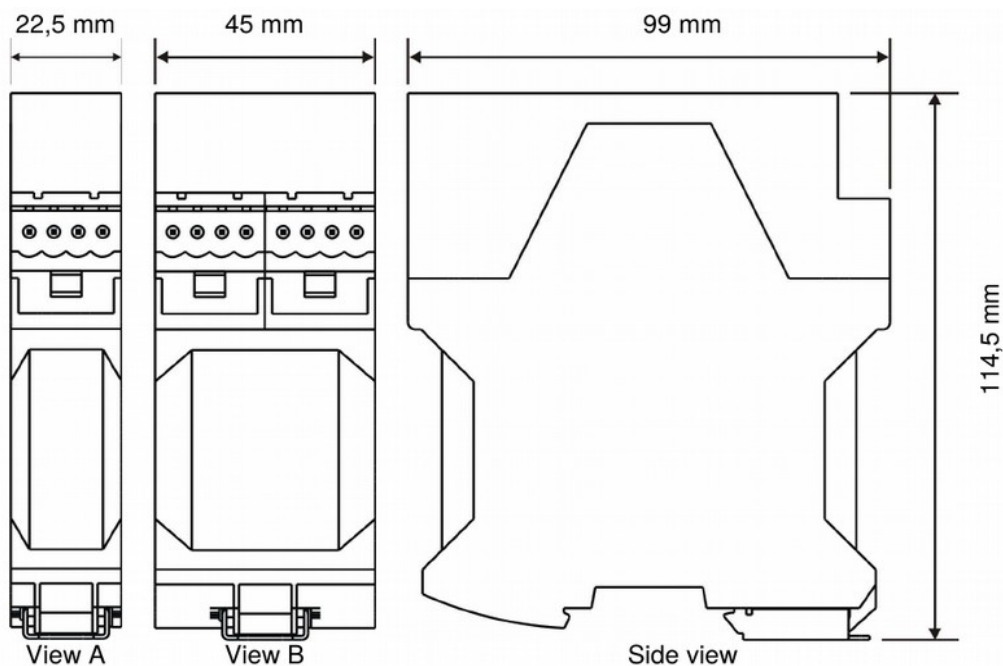
Resolution	Max. 100 000 weighing mode, internal 8 000 000, 24 bit Delta Sigma ADC with filters. 1 000 000 or 2 000 000 counts for selected count mode output.
Conversion Rate	Up to 800 times per second
Display Annunciators	Centre, Zero and Err LED.
Non-linearity/Temperature Coefficient	< 0.0015% FSO/< 2 ppm/°C
Excitation	5V, 86mA max. (up to 6x 350Ω or 12x 700Ω load cells, 4 or 6 wire)
Input sensitivity	Minimum 0.1 μV/division, From 0.2mV/V to 3.6mV/V load cell input for full output.
Input voltage range (configurable)	0mV to +18mV (weighing); -18mV to +18mV (bidirectional force)
Zero adjustment input range	-18mV to +18mV
Operating Environment	-10°C to +40°C; max. 85% RH, non-condensing.
Enclosure	Polyamide, for DIN-rail mount, protection class IP20
Dimensions	99mm high, 114.5mm deep. Width 22.5mm (PT113MB), others 45mm.
Power Supply	11-28VDC max., 100mA for PT113AD and PT113MB, 300mA for other models.

FEATURES

Calibration	Span calibration with weights by RS-232, fieldbus or AzCom software. vCal for calibration by direct entry of load cell characteristics with AzCom software. In count mode all instruments are factory calibrated for on site calibration in the PLC.
Digital filter	Adaptable filter adjustable in 10 steps
Weighing functions	Tare, zero, auto zero tracking, motion detection, auto-zero at power-up

INTERFACES (varies with model)

RS-232	9600 baud 8N1. Continuous output, Command or BSI mode.
RS-485	1200 to 57600 baud, 7E1, 7O1 or 8N1. Continuous output, Command or BSI mode.
Modbus RTU	1200 to 57600 baud, programmable, up to 31 units on the RS-485 bus
Modbus TCP (on Ethernet)	10 Mbit/s (half duplex), galvanically isolated
PROFIBUS	PROFIBUS DP V1. 9.6 kbit/s to 12 Mbit/s automatic baud rate detection
PROFINET	100 Mbit/s (full duplex), galvanically isolated
EtherNet/IP	10 or 100 Mbit/s (full duplex), galvanically isolated
EtherCAT	100 Mbit/s (full duplex), galvanically isolated
CANopen	10 kbit/s to 1 Mbit/s automatic baud rate detection



ESTABLISHED
IN
1979



PT Limited

2/7 Marken Place, Glenfield, Auckland 0627, New Zealand
PO Box 102041 NSMC, Auckland 0745. Ph.+64 9 444 4312
www.ptglobal.com

