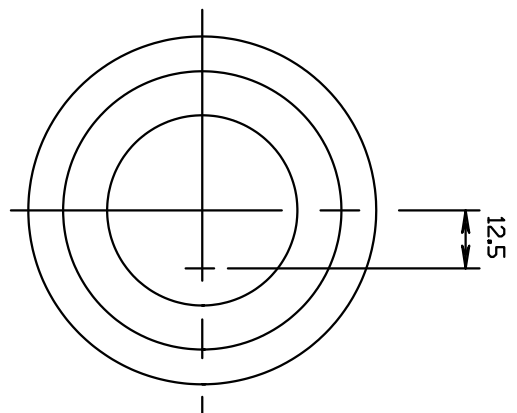
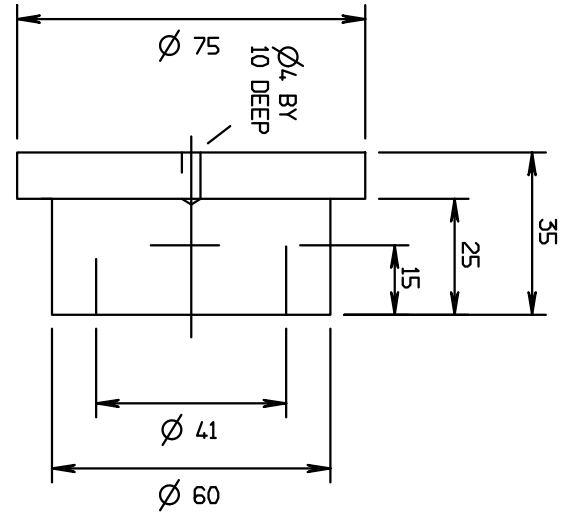


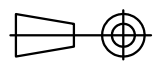
TOP LOAD RECEPTOR

PT No A-HPCREC/1



BOTTOM LOAD RECEPTOR

PT No A-HPCREC/2



PT Limited.
...better value by design

HPC RECEPTORS (A-HPC-REC)
(INCLUDES ONE OF EACH)

UNITS: mm	ISSUED:	BY:	DRAWN: 18-11-2004	©
SCALE: NTS	CHANGE:		REVISION: 00 DATE: 18-11-04	
CHKD:	APPROVED:		DWG No.: ACC\APLN\MHPCREC	