

# LMP

## LOAD MEASUREMENT PINS



**Your Natural Partner  
For  
Load Measuring Pins.**



Some examples of the many different pins available.

### How to get your pin underway:

- If it's to fit an existing structural component a drawing of this component is a good start, or even the actual component.
- If it's an idea that you would like to progress but don't have exact details, just give us a draft of what you are after, our engineers can firm this up for you.
- If you know some of the parameters of what you are after go to:

<http://info.pt-global.com/products/pins>

and enter the measurements requested.

This is a great way to find out what's needed and it will lead you through the process of specifying your requirements.

- Remember we are your partners in this process, if you have a structural link pin idea and you want to see your idea become a Load Measurement Pin contact your salesman to get the ball rolling.
- It's a comfort to know that our LMP's are similar to our standard products, which commonly have a working life of several decades!

*Because of their high safety levels and ability to tolerate extreme environments, PT LMP's are ideal for use in hostile environments.*

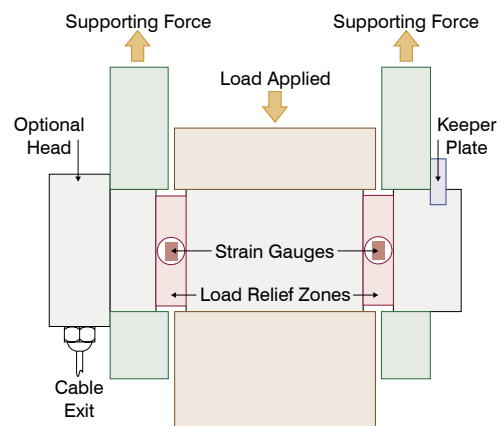
*Rugged stainless steel construction with IP68 standard provide for reliable and trouble free operation.*

*Manufactured in the Special Products Division of PT, our pins come with over 20 years experience in sensor manufacturing, with millions of our sensor products worldwide.*

*LMP's can act as an independent monitoring and warning device as new or as retrofitted to your application.*

### APPLICATIONS

- **Overload protection for cranes, hoists, elevators winches and bridges**
- **Regulation of forces in process industries**
- **Control of traction forces on cableways, chairlifts etc**
- **Can replace existing pins in fixed points, balance wheels, swing bars and shackles**



Arrangement depicts right hand LMP pictured above.



**Manufactured in New Zealand**

PT Limited®

<http://www.pt-global.com>