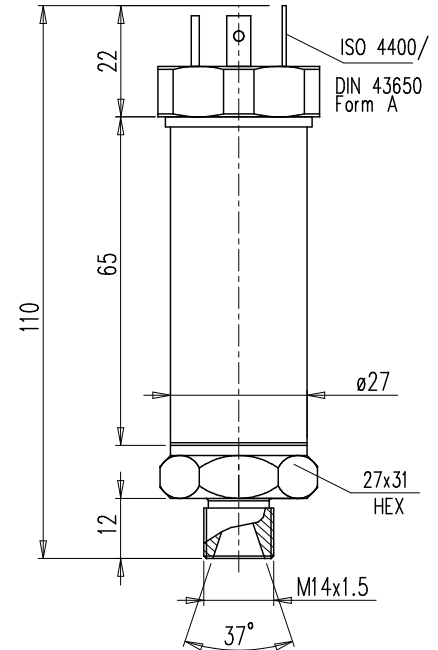


HPT03

HIGH ACCURACY PRESSURE TRANSDUCER



- Stainless steel wetted parts
- High accuracy foil strain gauge
- Easy installation
- 4-20mA output for automation integration
- Supplied with connector and cable

The HPT03 series of pressure transducers by PT Limited are suitable for measuring the pressure of all kinds of non-crystalline liquids and gases that are not rapidly changing, in industries such as aerospace, automotive, air conditioning, oil and gas. Especially suited for hydraulic pressure measurement. With the output signal already converted to 4-20mA this pressure transducer interfaces easily to automation and control systems.

Dimensions(mm):

Capacity (Mpa/PSI)	Model	Order	Weight (kg)
5 / 725	HPT03-05	HPT03A05MPAM14	0.2
10 / 1450	HPT03-10	HPT03A10MPAM14	0.2
15 / 2175	HPT03-15	HPT03A15MPAM14	0.2
20 / 2900	HPT03-20	HPT03A20MPAM14	0.2
25 / 3625	HPT03-25	HPT03A25MPAM14	0.2
30 / 4350	HPT03-30	HPT03A30MPAM14	0.2
35 / 5070	HPT03-35	HPT03A35MPAM14	0.2
40 / 5795	HPT03-40	HPT03A40MPAM14	0.2

Specifications:

Signal Output (0 to Capacity).....	4-20 mA	Service Load.....	100% Capacity
Linearity Error.....	< 0.200% FSO	Safe Load.....	120% Capacity
Non-Repeatability.....	< 0.100% FSO	Ultimate Load.....	150% Capacity
Hysteresis.....	< 0.200% FSO	Load Resistance.....	250 ~ 1000Ω
Zero Balance.....	< 5% Capacity	Supply Voltage.....	12~24 V DC
Temperature Effect on Span(/10C).....	< 0.200% FSO	Cable connection.....	4 pin connector + 3m cable
Temperature Effect on Zero(/10C).....	< 0.200% FSO	Material.....	17-4PH/304 Stainless Steel
Compensated Temperature Range.....	-10 ~ 50 C	Operating Temperature Range..	-20 ~ 65 C
Supply +ve.....	Pin 1 (RED)	Supply -ve.....	Pin 2 (BLACK)
Signal +ve.....	Pin 3 (GREEN)	Ground.....	Pin 4 (WHITE)

R180515