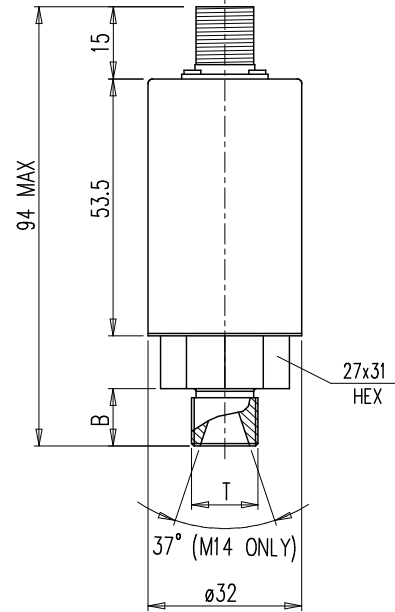


HPT02

HIGH ACCURACY PRESSURE TRANSDUCER



- Stainless steel wetted parts
- High accuracy foil strain gauge
- Easy installation
- Industry standard M12 connector



Capacity (Mpa/PSI)	Model	Order	T (thread)	B	Wt (kg)	Capacity Mpa/PSI	Model	Order	T (thread)	B	Wt (kg)
15/2,174	HPT02-15-M20	HPT02015MPAM20	M20x1.5	18	0.2	20/2,899	HPT02-20-M14	HPT02020MPAM14	M14x1.5	12	0.25
20/2,899	HPT02-20-M20	HPT02020MPAM20	M20x1.5	18	0.2	25/3,623	HPT02-25-M14	HPT02025MPAM14	M14x1.5	12	0.25
25/3,623	HPT02-25-M20	HPT02025MPAM20	M20x1.5	18	0.2	30/4,348	HPT02-30-M14	HPT02030MPAM14	M14x1.5	12	0.25
30/4,348	HPT02-30-M20	HPT02030MPAM20	M20x1.5	18	0.2	35/5,072	HPT02-35-M14	HPT02035MPAM14	M14x1.5	12	0.25
35/5,072	HPT02-35-M20	HPT02035MPAM20	M20x1.5	18	0.2	40/5,797	HPT02-40-M14	HPT02040MPAM14	M14x1.5	12	0.25
40/5,797	HPT02-40-M20	HPT02040MPAM20	M20x1.5	18	0.2	50/7,246	HPT02-50-M14	HPT02050MPAM14	M14x1.5	12	0.25
45/6,522	HPT02-45-M20	HPT02045MPAM20	M20x1.5	18	0.2	<p>The HPT02 series of pressure transducers by PT Limited are suitable for measuring the pressure of all types of non-crystalline liquids and gases that are not rapidly changing, in industries such as aerospace, automotive, air conditioning, oil and gas.</p>					
50/7,246	HPT02-50-M20	HPT02050MPAM20	M20x1.5	18	0.2						
60/8,696	HPT02-60-M20	HPT02060MPAM20	M20x1.5	18	0.2						
70/10,145	HPT02-70-M20	HPT02070MPAM20	M20x1.5	18	0.2						
80/11,594	HPT02-80-M20	HPT02080MPAM20	M20x1.5	18	0.2						
100/14,493	HPT02-100-M20	HPT02100MPAM20	M20x1.5	18	0.2						

(Dimensions in mm)

Signal Output at Capacity..... 1.5±0.2 mV/V
 Linearity Error..... < 0.100% FSO
 Non-Repeatability..... < 0.050% FSO
 Hysteresis..... < 0.100% FSO
 Zero Balance..... < 10 % Capacity
 Temperature Effect on Span(/10C)..... < 0.100% FSO
 Temperature Effect on Zero(/10C)..... < 0.100% FSO
 Compensated Temperature Range..... -10 ~ 50 C
 Operating Temperature Range..... -20 ~ 65 C
 Storage Temperature Range..... -50 ~ 65 C
 Environmental..... IP67 with connector
 Excitation +ve..... Pin 1
 Signal +ve..... Pin 4

Service Load..... 100% Capacity
 Safe Load..... 120% Capacity
 Ultimate Load..... 150% Capacity
 Input Resistance..... 750Ω nominal
 Output Resistance..... 700Ω ± 7Ω
 Insulation Resistance..... > 1000 MΩ (@50 VDC)
 Excitation Voltage(Rec)..... 5~15 V AC/DC
 Excitation Voltage(Max.)..... 18 V AC/DC
 Cable connector..... 4 pin M12, code A sensor
 Material..... 17-4PH/304 Stainless Steel
 Excitation -ve..... Pin 2
 Signal -ve..... Pin 3

R180515