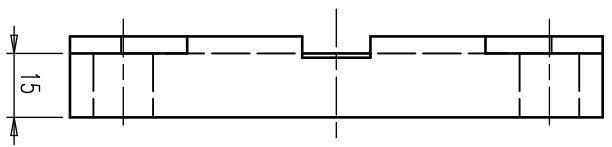
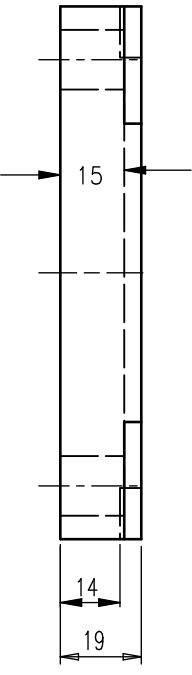
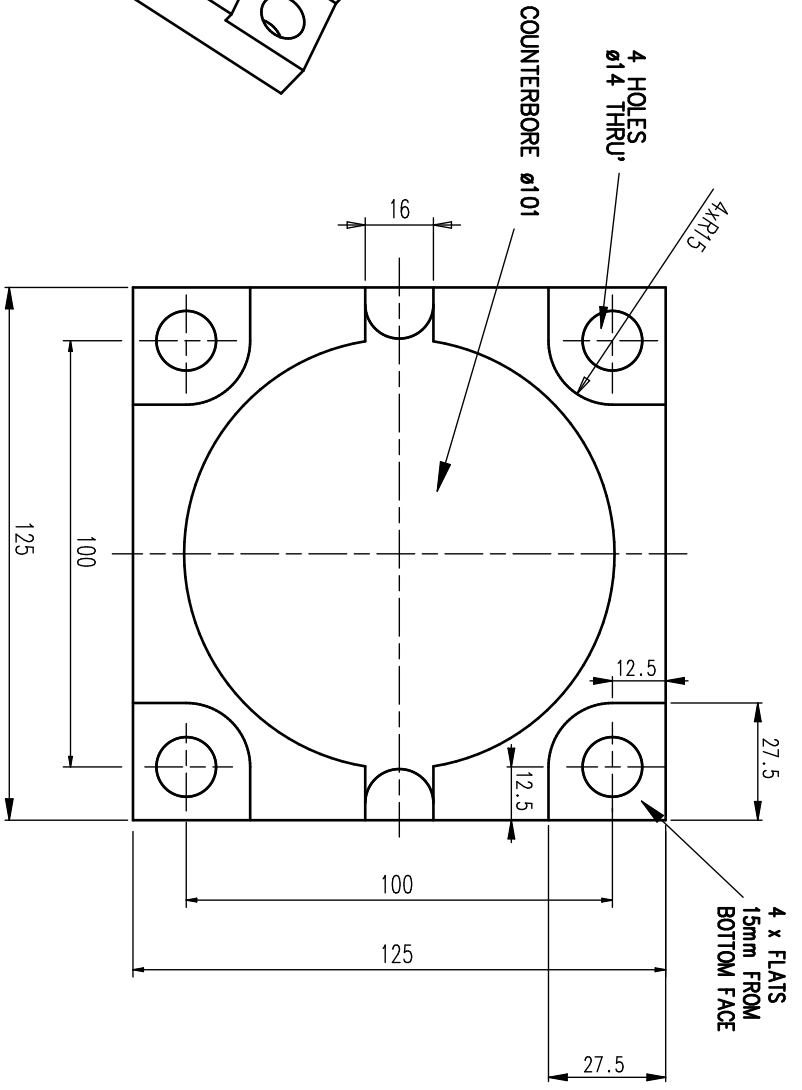
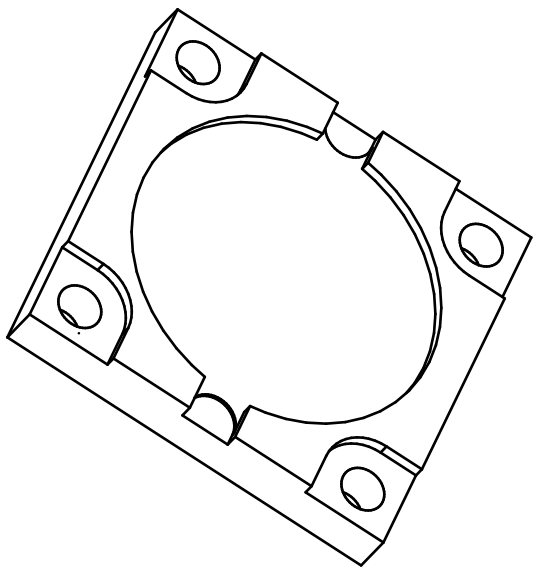


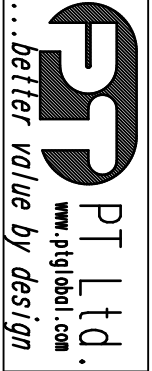
IMPORTANT  
DESTROY ALL  
PREVIOUS ISSUES.



PART No M-70MUP-10

5 MATERIAL: STAINLESS STEEL 304

IT IS THE SUPPLIERS RESPONSIBILITY TO ENSURE THAT THIS DRG.No. AND REVISION MATCHES THAT OF THE OFFICIAL ORDER AND/OR AMENDMENT



MLPX2-10 BOTTOM PLATE  
(PT7000 UPGRADE PLATE)

	ISO 13715		ISO 1302	
	ISO 1101:2004		Ro 1.6	

DIMENSIONS WITHOUT TOLERANCE ARE BASIC	NTS	CHANGE:	REVISION: 00
<input checked="" type="checkbox"/> 0.2	ISSUED:	DRAWN: 30-04-2014	DATE: 30-04-2014
<input type="checkbox"/> 0.1	CHKD:	DWG.No: APLNM-70MUP-10	