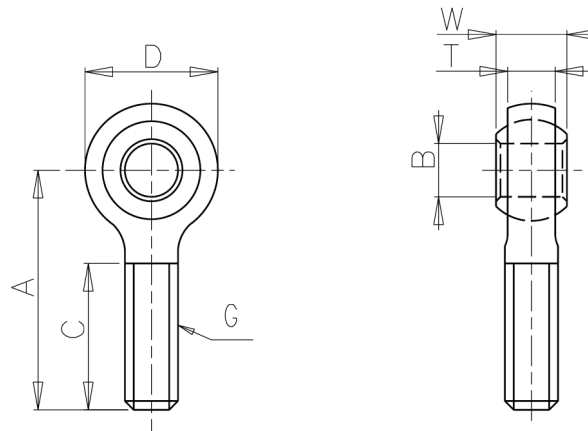




API 13.995 Rod End Bearing Loads

Product Support

PT Rod end bearings are selected to provide optimum results with our products. Static load ratings are listed below and are the maximum loads that can be placed on the rod end as supplied. Exceeding these loads may result in failure. It is also important to note that over time environmental conditions may cause corrosion or other degradation that could reduce the strength below these values.



Item	Thread (T)	Load rating (Static, N)	A	B	C	D	T	W
A-REM8...	M8 x 1.25P	13591	42	8	25	22.5	8	12
A-REM12...	M12 x 1.75P	25819	54	12	33	30	10.75	16
A-REM20...	M20 x 1.5P	57101	78	20	47	46	16.25	25
A-REM20-3...	M20 x 1.5P	75600	77	20	43	53	13	16
A-REM24...	M24 x 2P	78000	94	25	53	65	18	20
A-REM24-5	M24 x 2P	104435	95	25	57	60	22	31
A-RE0.250...	1/4" x 28 tpi. UNF	9897	39.67	6.35	25.4	19.05	6.35	9.53
A-RE0.3125...	5/16" x 24 tpi. UNF	16013	47.63	7.94	31.75	22.23	7.92	11.1
A-RE0.500...	1/2" x 20 tpi. UNF	37300	61.93	12.7	38.1	33.32	11.51	15.88
A-RE0.500-2...	1/2" x 20 tpi. UNF	72244	61.93	12.7	38.1	33.32	12.7	15.88
A-RE0.625-2...	5/8" x 18 tpi. UNF	79882	66.68	15.88	41.28	38.1	12.29	19.05
A-RE0.625-5...	5/8" x 18 tpi. UNF	139812	66.68	12.7	41.28	38.1	12.7	15.8
A-RE0.750-2...	3/4" X 16 tpi. UNF	63562	73.03	19.05	44.45	44.45	15.06	22.23
A-RE0.750-5...	3/4" X 16 tpi. UNF	124944	73.03	19.05	44.45	44.45	17.45	22.23
A-RE1.250-10...	1-1/4" X 12 tpi. UNF	193733	104.78	25.4	53.98	74.93	25.78	34.93
A-RE1.250-25...	1-1/4" X 12 tpi. UNF	476746	104.78	25.4	53.98	74.93	25.78	34.93

kg/lb values can be calculated at 1 kg = 9.81N, 1lb = 4.448N