

Model HPC *truckcell* vers II

HIGH PRECISION COMPRESSION LOAD CELL



The HPC IP67 (High Precision Compression) is a state of the art measurement device. Its highly sophisticated and super sensitive electronics are housed in a rugged fully stainless steel enclosure. Fitted with anti-rotation mechanism and inert gas filled for component longevity, the HPC provides for an IP67 enclosure rating.

Purpose designed to meet the needs of the weighbridge and truck scale manufacturer, the cell is supplied in two optimum weighbridge cell capacities of 30t and 45t.

To ensure the exceptional performance of the HPC is optimised, PT offer specially designed mounting accessories, please refer accessory part numbers on the back page.

The load cell is electronically and mechanically compatible and interchangeable with all 2 mV/V HPC's. It has a three-year warranty and is supplied individually packed with a detailed accuracy certificate traceable by serial number.

APPLICATIONS

Road weighbridges
 Rail weighbridges
 Tanks and hoppers

FEATURES

Welded stainless steel enclosure
 Anti-rotation fitted as standard
 Smart technology single column design
 Heavy duty braided 6 core cable

Specifications

Note: All specifications are a maximum, as a % (±) of full load, unless otherwise specified.

Nominal Capacity.....	30t and 45t	Service Load.....	100% Capacity
Signal Output at Capacity.....	2±0.02 mV/V	Safe Load.....	150% Capacity
Linearity Error.....	< 0.02% FSO	Ultimate Load.....	300% Capacity
Non-Repeatability.....	< 0.010% FSO	Tilt (maximum sideways travel).....	7.5 mm from centre
Combined Error.....	< 0.023% FSO	Input Resistance.....	750Ω ± 10Ω
Hysteresis.....	< 0.023% FSO	Output Resistance.....	704Ω matched ±0.2Ω
Creep(30 mins.).....	< 0.020% FSO	Insulation Resistance.....	> 5000 MΩ (@50 VDC)
Zero Balance.....	< 1 % Capacity	Excitation Voltage(Rec).....	5~18 V AC/DC
Temperature Effect on Span(/10C).....	< 0.010% FSO	Excitation Voltage(Max.).....	20 V AC/DC
Temperature Effect on Zero(/10C).....	< 0.015% FSO	Material.....	Alloy/Stainless Steel.
Operating Temperature Range.....	-30 ~ 65 C	Sealing.....	IP67
Compensated Temperature Range.....	-10 ~ 50 C	Cable.....	12m long, 7.5 mm dia.
Storage Temperature Range.....	-50 ~ 85 C6 core x 0.24mm ² (24AWG) PE, braid screen, PUR sheath

Excitation +ve.....Red
 Excitation -ve.....Black

Sense +ve.....Blue
 Sense -ve.....Yellow

Signal +ve.....Green
 Signal -ve.....White

R180515

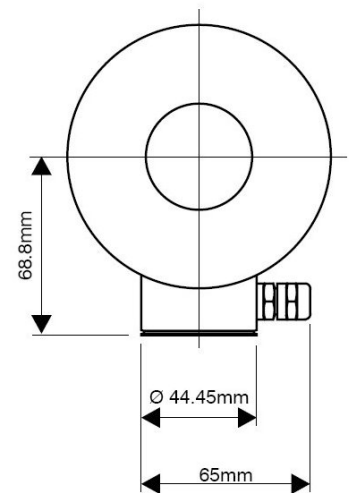
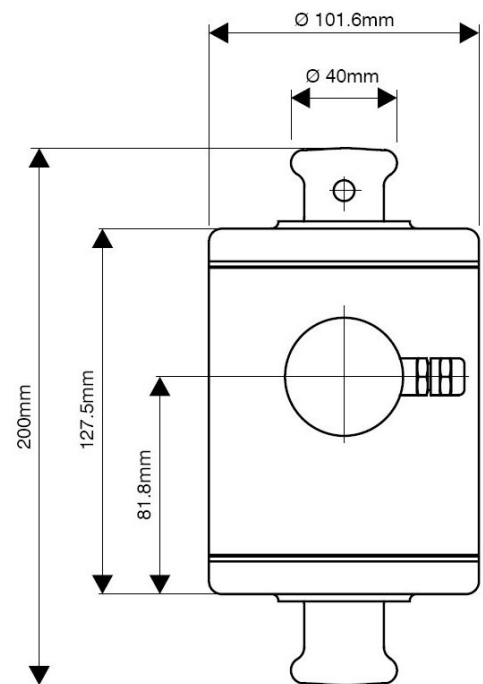
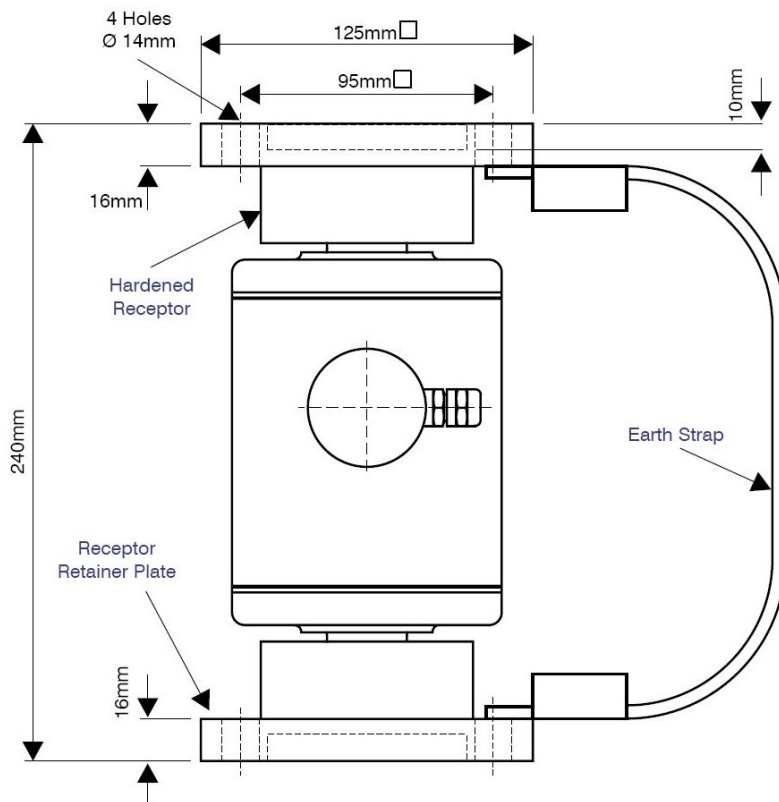


Ordering Information

A full range of optional accessories is available. Please contact us for further details. Specifications may change, please refer to our web site for the most current information.

MODEL	Part Number	ACCESSORIES	Part Number	CABLE PACK	Part Number
HPC-30t HPC-45t	HPM030TT000XXX HPM045TT000XXX	Load Receptors(2 pcs.) Retainer Plates(2 pcs.) Earthing Bonding Strap Full Mounting Set	A-HPCREC A-HPCRET A-HPCETH A-HPCAR	For junction box to indicator runs. High quality cable to the same specification as that used on the HPC.	
				10 Metres	A-6C7.5-0010
				50 Metres	A-6C7.5-0050
				100 Metres	A-6C7.5-0100
				1000 Metres	A-6C7.5-1000
HPC-30t HPC-45t	HPM030TS000XXX HPM045TS000XXX				

HPC Shown with complete mounting set



PT Cable Colour Code

Excitation +ve	RED
Sense +ve	BROWN
Excitation -ve	BLACK
Sense -ve	BLUE
Signal +ve	GREEN
Signal -ve	WHITE

