

# PTSSP6-GW

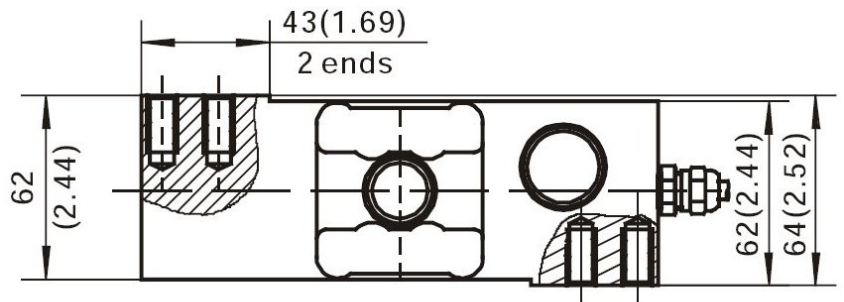
## STAINLESS STEEL SINGLE POINT

- Fully sealed IP68
- C3 accuracy class
- Stainless steel for protection
- For platform and retail scales
- Suits 600mm x 600mm platform

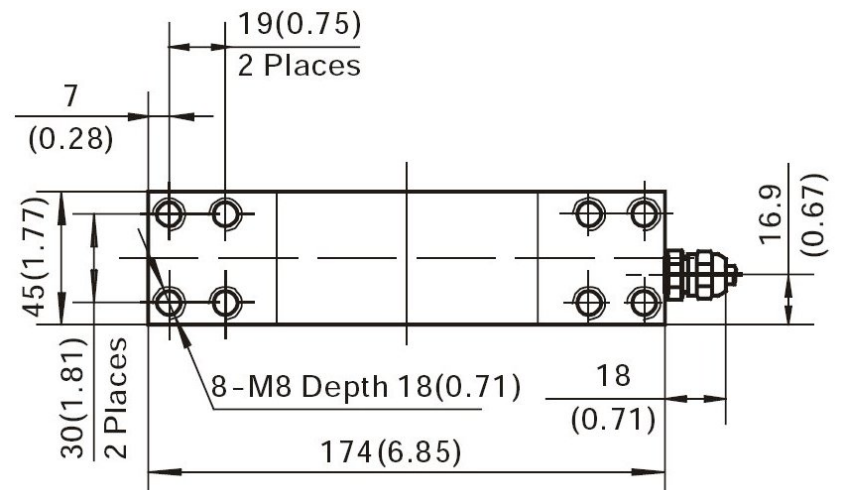


### Models

Capacity	Order	Weight (kg)
200kg	SPM0200S06GWXX	2.90
300kg	SPM0300S06GWXX	2.90
400kg	SPM0400S06GWXX	2.90
500kg	SPM0500S06GWXX	2.90



NOTE: dimensions are in mm(in.).



### Specifications

Signal Output at Capacity.....	2±0.2 mV/V
Linearity Error.....	< 0.017% FSO
Non-Repeatability.....	< 0.010% FSO
Combined Error.....	< 0.020% FSO
Off Centre Load Error.....	< 0.020% FSO
Creep/(30 mins.).....	< 0.020% FSO
Zero Balance.....	< 1% capacity
Temperature Effect on Span(/10C).....	< 0.014% FSO
Temperature Effect on Zero(/10C).....	< 0.017% FSO
Operating Temperature Range.....	-35 ~ +65 C
Compensated Temperature Range.....	-10 ~ +40 C
Storage Temperature Range.....	-50 ~ 85 C

Service Load.....	100% Capacity
Safe Load.....	150% Capacity
Ultimate Load.....	300% Capacity
Input Resistance.....	350Ω ± 3.5Ω
Output Resistance.....	350Ω ± 3.5Ω
Insulation Resistance.....	> 5000 MΩ (@50 VDC)
Excitation Voltage(Rec).....	5~12 V AC/DC
Excitation Voltage(Max.).....	18 V AC/DC
Cable.....	3m long, Ø5.1
.....	4-wire shielded PU cable
Material.....	17-4ph Stainless Steel
Sealing.....	IP68 Welded

### Wiring Connections

Excitation +ve.....Red  
Excitation -ve.....Black

Signal +ve.....Green  
Signal -ve.....White

R180516