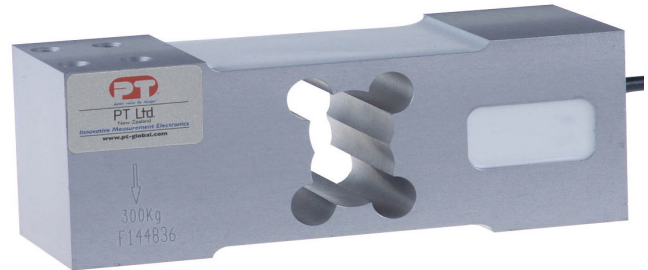


PTASP6-W

ALUMINIUM SINGLE POINT

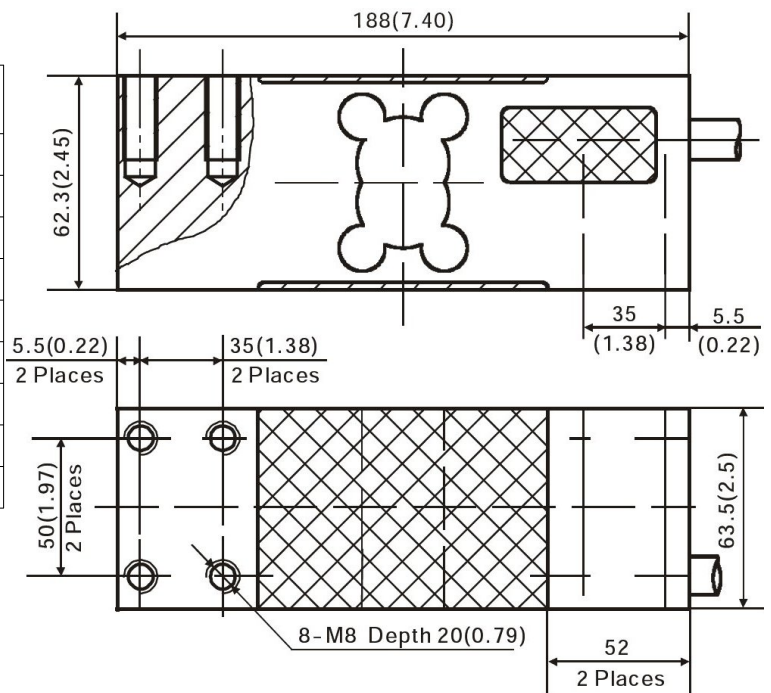
- Fully sealed
- C3 accuracy class
- Annodised for protection
- Suits larger platform scales



Models

Capacity	Order	Weight (kg)	Platform Size
50kg	SPM0050A06WXXX	1.95	600x600mm
75kg	SPM0075A06WXXX	1.95	600x600mm
100kg	SPM0100A06WXXX	1.95	600x600mm
150kg	SPM0150A06WXXX	1.95	600x600mm
200kg	SPM0200A06WXXX	1.95	600x600mm
250kg	SPM0250A06WXXX	1.95	600x800mm
300kg	SPM0300A06WXXX	1.95	600x800mm
500kg	SPM0500A06WXXX	1.95	600x800mm
635kg	SPM0635A06WXXX	1.95	600x800mm

NOTE: dimensions are in mm(in.).



Specifications

Signal Output at Capacity.....2±0.2 mV/V
 Linearity Error.....< 0.017% FSO
 Non-Repeatability.....< 0.010% FSO
 Combined Error.....< 0.020% FSO
 Off Centre Load Error.....< 0.020% FSO
 Creep/(30 mins.).....< 0.015% FSO
 Zero Balance.....< 2% Capacity
 Temperature Effect on Span(/10C).....< 0.014% FSO
 Temperature Effect on Zero(/10C).....< 0.017% FSO
 Operating Temperature Range.....-35 ~ +65 C
 Compensated Temperature Range.....-10 ~ +40 C
 Storage Temperature Range.....-50 ~ 85 C

Service Load.....100% Capacity
 Safe Load.....150% Capacity
 Ultimate Load.....300% Capacity
 Input Resistance.....406Ω ± 6Ω
 Output Resistance.....350Ω ± 3Ω
 Insulation Resistance.....> 5000 MΩ (@50 VDC)
 Excitation Voltage(Rec).....5~12 V AC/DC
 Excitation Voltage(Max.).....18 V AC/DC
 Cable.....3m long, Ø5.0 mm
6 core screened PU
 Material.....Aluminium Alloy
 Sealing.....IP65

Wiring Connections

Excitation +ve.....Red
 Excitation -ve.....Black
 Sense +ve.....Blue
 Sense -ve.....Yellow
 Signal +ve.....Green
 Signal -ve.....White

R180517