

PTASP6-G

ALUMINIUM SINGLE POINT

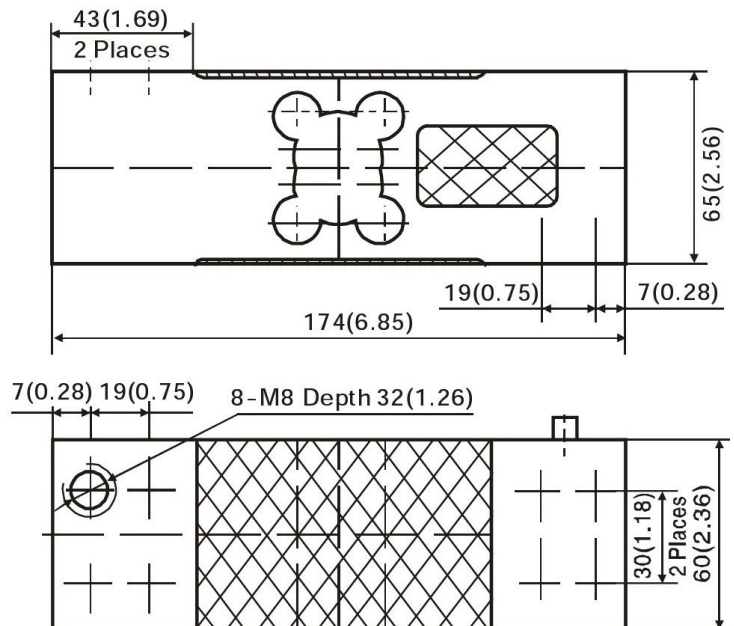
- Fully sealed
- C3 accuracy class
- Anodised for protection
- For larger platform scales
- Suits 600mm x 600mm platform



Models

Capacity	Order	Weight (kg)
50kg	SPM0050A06GXXX	1.65
100kg	SPM0100A06GXXX	1.65
150kg	SPM0150A06GXXX	1.65
200kg	SPM0200A06GXXX	1.65
250kg	SPM0250A06GXXX	1.65
300kg	SPM0300A06GXXX	1.65
500kg	SPM0500A06GXXX	1.65
600kg	SPM0600A06GXXX	1.65

NOTE: dimensions are in mm(in.).



Specifications

Signal Output at Capacity.....$2\pm 0.2\text{ mV/V}$
 Linearity Error.....$0.017\% \text{ FSO}$
 Non-Repeatability.....$0.010\% \text{ FSO}$
 Combined Error.....$0.020\% \text{ FSO}$
 Off Centre Load Error.....$0.020\% \text{ FSO}$
 Creep/(30 mins.).....$0.015\% \text{ FSO}$
 Zero Balance.....$2.0\% \text{ capacity}$
 Temperature Effect on Span(/10C).....$0.014\% \text{ FSO}$
 Temperature Effect on Zero(/10C).....$0.017\% \text{ FSO}$
 Operating Temperature Range.....-35 ~ +65 C
 Compensated Temperature Range.....-10 ~ +40 C
 Storage Temperature Range.....-50 ~ 85 C

Service Load.....100% Capacity
 Safe Load.....150% Capacity
 Ultimate Load.....300% Capacity
 Input Resistance.....409 Ω \pm 6 Ω
 Output Resistance.....350 Ω \pm 3 Ω
 Insulation Resistance.....> 5000 M Ω (@50 VDC)
 Excitation Voltage(Rec).....5~12V AC/DC
 Excitation Voltage(Max.).....18V AC/DC
 Cable.....3m long, \varnothing 6.0 mm
 Material.....6 core screened PVC
 Material.....Aluminium Alloy
 Sealing.....IP65

Wiring Connections

Excitation +ve.....Red Sense +ve.....Blue Signal +ve.....Green
 Excitation -ve.....Black Sense -ve.....Yellow Signal -ve.....White

R81030