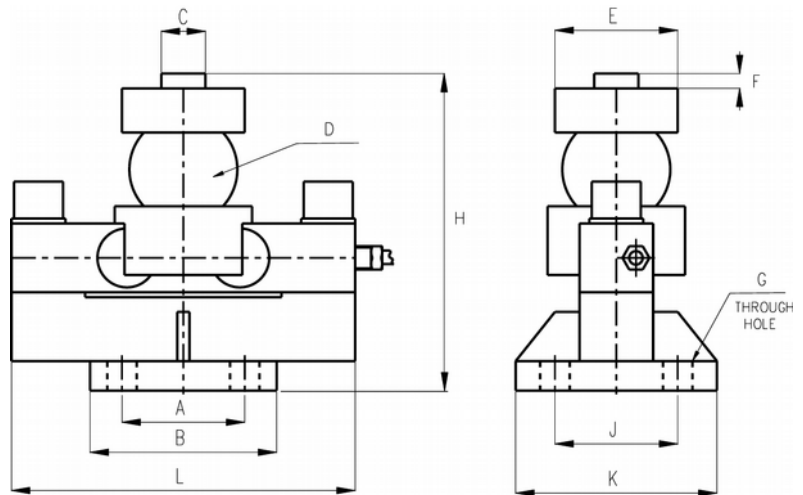


PT9010WA

WEIGHING ASSEMBLY



- Fully sealed tool steel load cell
- IP68 sealing, rugged construction
- Ideal for road/rail weigh bridges
- Fully assembled ready to install
- Complete with base, ball and top receptor



Dimensions

Capacity	Order	A	B	C	D	E	F	G	H	J	K	L	Weight (kg)
10t	9010M010TWAXXX	80	125	30	50	88	11	18	195	100	135	240	14.2
20t	9010M020TWAXXX	80	125	30	76	88	11	18	225	100	135	240	16.1
25t	9010M025TWAXXX	80	125	30	76	88	11	18	225	100	135	240	16.1
30t	9010M030TWAXXX	80	125	30	76	88	11	18	225	100	135	240	16.1
40t	9010M040TWAXXX	80	125	30	76	88	11	18	225	100	135	240	16.1
50t	9010M050TWAXXX	124	160	40	82	98	11	21	261	124	160	340	24

NOTE: Load cell and mounting included in ready to install assembly.

Specifications

Signal Output at Capacity.....	2±0.002 mV/V	Service Load.....	100% Capacity
Linearity Error.....	< 0.017% FSO	Safe Load.....	150% Capacity
Non-Repeatability.....	< 0.020% FSO	Ultimate Load.....	300% Capacity
Combined Error.....	< 0.020% FSO	Input Resistance.....	700Ω ± 37Ω
Hysteresis.....	< 0.020% FSO	Output Resistance.....	700Ω ± 7Ω
Creep/(30 mins.).....	< 0.020% FSO	Insulation Resistance.....	> 5000 MΩ (@50 VDC)
Zero Balance.....	< 1.5 % Capacity	Excitation Voltage(Rec).....	5~12 V AC/DC
Temperature Effect on Span(/10C).....	< 0.014% FSO	Excitation Voltage(Max.).....	18 V AC/DC
Temperature Effect on Zero(/10C).....	< 0.017% FSO	Cable.....	12m
Compensated Temperature Range.....	-10 ~ 40 C	4 core shielded
Operating Temperature Range.....	-35 ~ 65 C	Material.....	Alloy Steel/Steel
Storage Temperature Range.....	-50 ~ 85 C	Sealing.....	IP68 welded sealed

Cable Wiring: Excitation +ve = Red

Excitation -ve = Black

Signal +ve = Green

Signal -ve = White

R180508