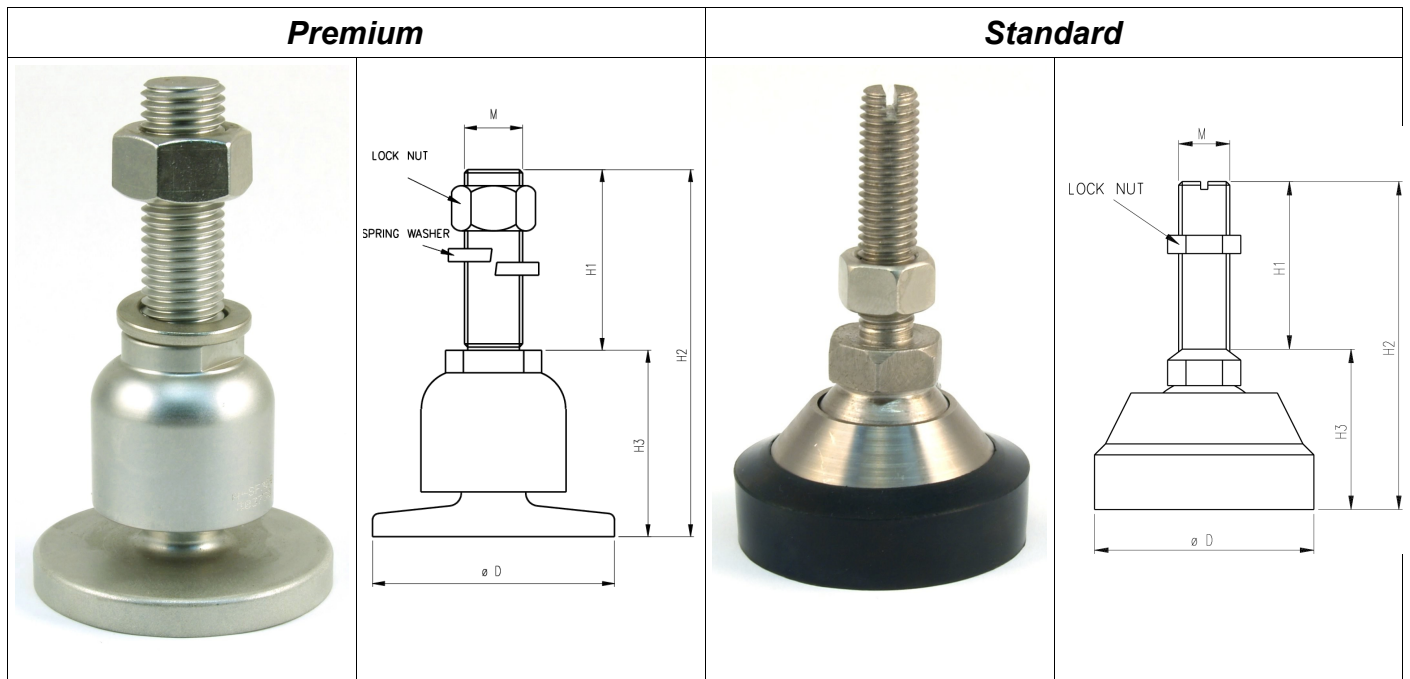




# API 13.495 Swivel foot selection chart

Product Support

PT offers a range of self aligning and self centering swivel feet to suit their products. The swivel feet are available in two styles to suit a range of applications.



This newly designed premium range of swivel feet is machined from stainless steel to provide resistance to the environment and hardened for durability. The design is self draining in the event of wash down, spills or outdoor installation and prevents the accumulation of dirt or debris that could interfere with correct operation. The newly designed model is simply two solid parts with a self aligning ball motion, all assembly joints have been removed.

The standard range of swivel feet offers a rubber boot to protect the floor from marking and prevent the scale from slipping. There are tool steel and stainless steel models available in the standard range to suit a variety of needs. Whilst not as wash down resistant this standard swivel foot is a common component widely used in the manufacture of weighing platform scales for general use.

Model range.

Style	Model Compatibility	M (Thread)	D (mm)	H1 (mm)	H2 (mm)	H3 (mm)	Order Code	Weight (kg)
Premium (Stainless steel)	PT8000, ASB125	M8x1.25	30	30	64	34	A-SFM8	100g
Premium (Stainless steel)	PT5000-250~2000kg, PT5100-500~2000kg, PSB250~1000kg, LS50~2500, ASB250~1000, LCSB250~2000,	M12x1.75	50	47.5	81.5	34	A-SFM12	220g
Premium (Stainless steel)	PT5000 2500~5000kg	M18x2.5	75	56	114	58	A-SFM18	900g
Premium (Stainless steel)	PSB2500~5000kg, PT5100-3000~5000kg	M20x2.5	75	60	118	58	A-SFM20	900g
Premium (Stainless steel)	PT5000-500~4000lb	1/2"-20 UNF	50	47.5	81.5	34	A-SF0500	220g
Premium (Stainless steel)	PT5000-5000~10000lb	3/4"-16 UNF	75	56	114	58	A-SF0750	900g
Standard (Tool steel)	PT5000-250~2000kg, PT5100-500~2000kg, PSB250~1000kg, LS50~1000, ASB125~1000, LCSB250~2000,	M12x1.75	60	50	90	40	A-SFM12T	460g
Standard (Tool steel)	LCSB2500~5000kg	M18x1.5	80	50	105	55	A-SFM18T	950g
Standard (Stainless steel)	PT5000-250~2000kg, PT5100-500~2000kg, PSB250~1000kg, LS50~1000, ASB125~1000, LCSB250~2000,	M12x1.75	60	50	90	40	A-SFM12A	460g
Standard (Stainless steel)	PT5100-3000~5000kg	M20x2.5	80	50	105	55	A-SFM20A	950g