

Model HPC truckcell vers II

HIGH PRECISION COMPRESSION LOAD CELL



The HPC (High Precision Compression) is a state of the art measurement device. Its highly sophisticated and super sensitive electronics are housed in a rugged fully stainless steel enclosure. Fitted with power surge arrestors, anti-rotation mechanism and inert gas filled for component longevity, the HPC provides for a true IP68 enclosure rating with greater than 300 hours protection at 1.5m immersion.

Purpose designed to meet the needs of the weighbridge and truck scale manufacturer, the cell is supplied in two optimum weighbridge cell capacities of 30t and 45t.

To ensure the exceptional performance of the HPC is optimised, PT offer specially designed mounting accessories, please refer accessory part numbers opposite.

The HPC has formal approval in many countries for both capacities. It has a three-year warranty and is supplied individually packed with a detailed accuracy certificate traceable by serial number.

APPLICATIONS

- Road weighbridges
- Rail weighbridges

FEATURES

- Welded stainless steel enclosure
- Anti-rotation fitted standard
- Smart technology single column design
- 6 core braided heavy duty cable
- Power surge protected

Specifications

Note: All specifications are a maximum, as a % (\pm) of full load, unless otherwise stated.

Nominal Capacity	30t and 45t	Ultimate Load	300% of Rated Capacity
Signal Output at Capacity	2mV/V \pm 0.1%	Input Resistance	750 Ω \pm 10 Ω
Linearity Error	< 0.020% FSO	Output Resistance	704 Ω Matched \pm 0.2 Ω
Non-Repeatability	< 0.010% FSO	Insulation Resistance (bridge to ground)	> 5000 M Ω at 100V DC
Combined Error	< 0.023% FSO	Excitation Voltage (Recommended)	5 ~ 18V AC/DC
Hysteresis	< 0.017% FSO	Excitation Voltage (Maximum)	20V AC/DC
Creep/Zero Return (30 mins)	< 0.023% / 0.017% FSO	Tilt (Maximum Transverse Displacement)	15mm
Zero Balance	< 1.000% Capacity	Power Surge Arrestors	Fitted as standard
Temperature Effect on Span/10°C	< 0.010% FSO	Storage Temperature Range	-50 ~ 65°C
Temperature Effect on Zero/10°C	< 0.015% Capacity	Cable Type	7.5mm, Braid Screen, PUR Sheath 6 Core x 0.24mm ² (24 AWG)
Compensated Temperature Range	-10 ~ 50°C	Cable Length	12 Metres
Operating Temperature Range	-30 ~ 65°C	Net Weight	3.75kg
Service Load	100% of Rated Capacity	Material	Stainless Steel
Safe Load	150% of Rated Capacity		



Manufactured in New Zealand

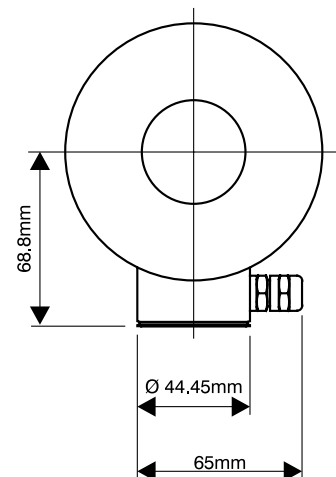
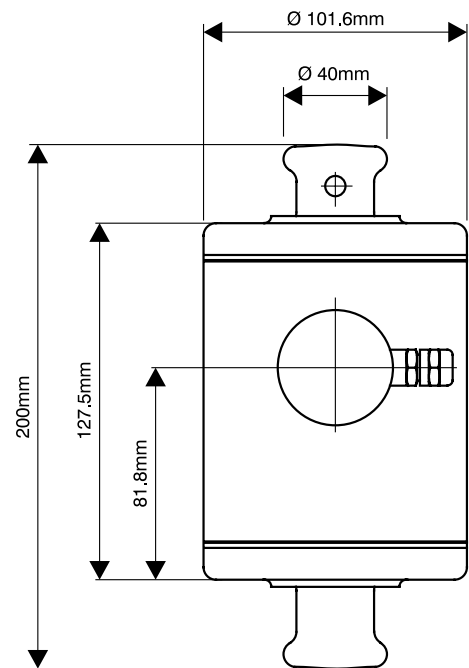
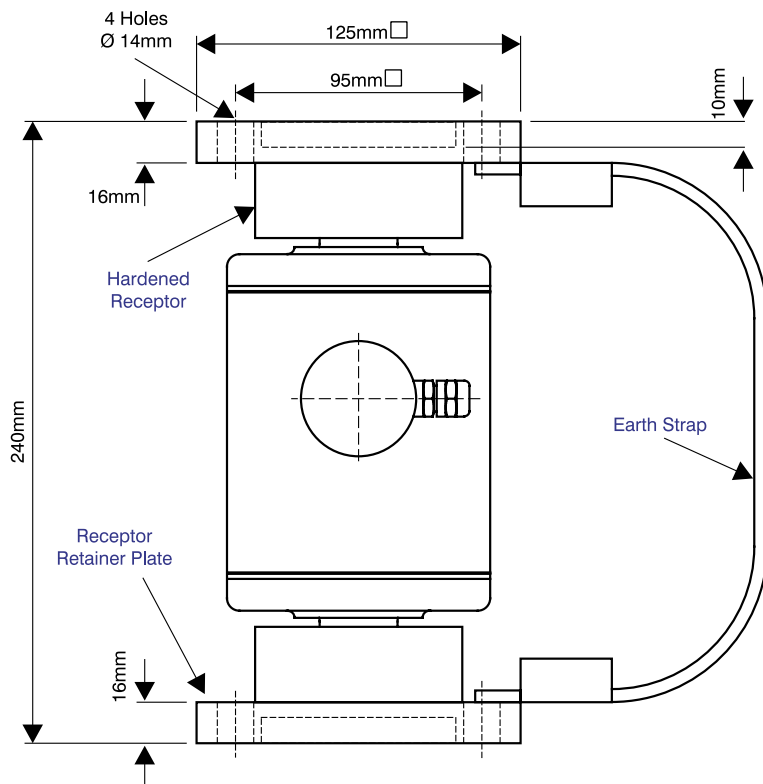
PT Limited®
<http://www.ptglobal.com>

Ordering Information

A full range of optional accessories is available, please contact us for further details. Detailed dimension drawings for the accessories are available at our web site.

MODEL	Part Number	ACCESSORIES	Part Number	CABLES PACKS	Part Number
HPC-30t	HPM030TS000XXX	Load Receptors (2 pieces)	A-HPCREC	Junction box to indicator runs. Available by the metre.	
HPC-45t	HPM045TS000XXX	Retainer Plates (2 pieces)	A-HPCRET	10 Metres	A-6C7.5-0010
		Earthing Bonding Strap	A-HPCETH	50 Metres	A-6C7.5-0050
		Mounting Set	M-HPCAR	100 Metres	A-6C7.5-0100
				1000 Metres	A-6C7.5-1000
				Cable Joint Kit	A-CAB-JOINTSTD

HPC shown with complete mounting set



PT Cable Colour Code

Excitation	+ve	Red
Sense	+ve	Brown
Excitation	-ve	Black
Sense	-ve	Blue
Signal	+ve	Green
Signal	-ve	White