

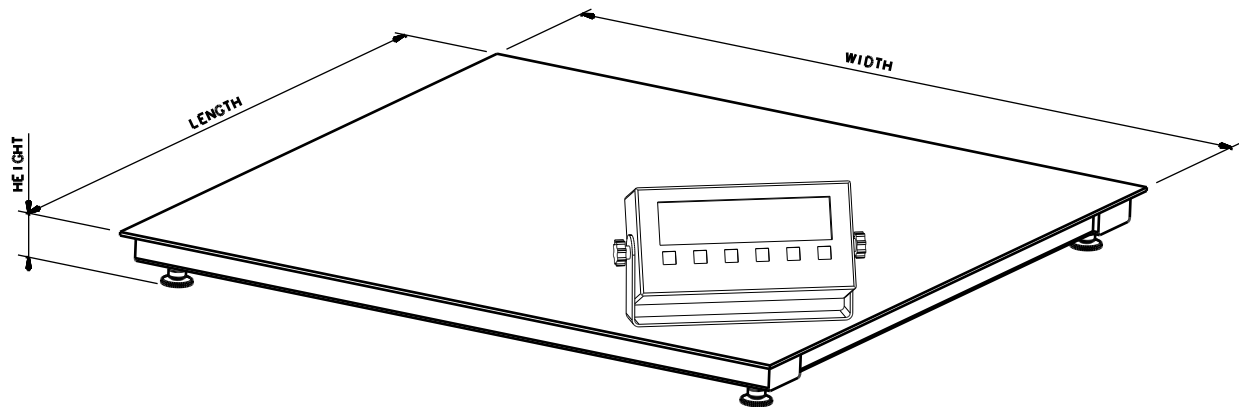


# API 13.391 Standard Red Deck Platform Scale Order Codes

Product Support

The PT Red Deck platform scales are available in a range of configurations. The construction can be painted steel, galvanized steel or stainless steel. Checker plate deck is standard as are self aligning adjustable feet. The platforms have die cast aluminium corner adjusting boxes sealed to IP67 and IP67 rated load cells.

The stainless steel platforms have IP68 welded sealed stainless steel load cells as standard. Optional indicator pole and ramps are available. The platforms can be purchased deck only and fitted to an indicator of the customers choice.



Complete Scale. Deck complete with load cells, die cast cornering box, 5m cable and calibrated indicator shown included.								
Model	Capacity	Finish	Length	Width	Height	Included Indicator	Scale Order Code	Weight
PS1212-1.5t	1500 x 0.5kg	Painted	1.2m	1.2m	100mm	PT100DI (EP100DI0000XXX)	PSP0012T1.5XX0	102kg
PS1212-1.5t	1500 x 0.5kg	Galvanized	1.2m	1.2m	100mm	PT100DI (EP100DI0000XXX)	PSG0012T1.5XX0	102kg
PS1212-1.5t	1500 x 0.5kg	Stainless	1.2m	1.2m	100mm	PT100DI (EP100DI0000XXX)	PSS0012T1.5XX0	102kg
PS1212-3t	3000 x 1kg	Painted	1.2m	1.2m	115mm	PT100DI (EP100DI0000XXX)	PSP0012T003XX0	107kg
PS1212-3t	3000 x 1kg	Galvanized	1.2m	1.2m	115mm	PT100DI (EP100DI0000XXX)	PSG0012T003XX0	107kg
PS1212-3t	3000 x 1kg	Stainless	1.2m	1.2m	115mm	PT100DI (EP100DI0000XXX)	PSS0012T003XX0	107kg
Deck only options. Deck complete with load cells, die cast cornering box and 5m cable.								
PS1212-1.5t	1500kg	Painted	1.2m	1.2m	100mm	Deck only	PSP0012T1.5XXX	102kg
PS1212-1.5t	1500kg	Galvanized	1.2m	1.2m	100mm	Deck only	PSG0012T1.5XXX	102kg
PS1212-1.5t	1500kg	Stainless	1.2m	1.2m	100mm	Deck only	PSS0012T1.5XXX	102kg
PS1212-3t	3000kg	Painted	1.2m	1.2m	115mm	Deck only	PSP0012T003XXX	107kg
PS1212-3t	3000kg	Galvanized	1.2m	1.2m	115mm	Deck only	PSG0012T003XXX	107kg
PS1212-3t	3000kg	Stainless	1.2m	1.2m	115mm	Deck only	PSS0012T003XXX	107kg