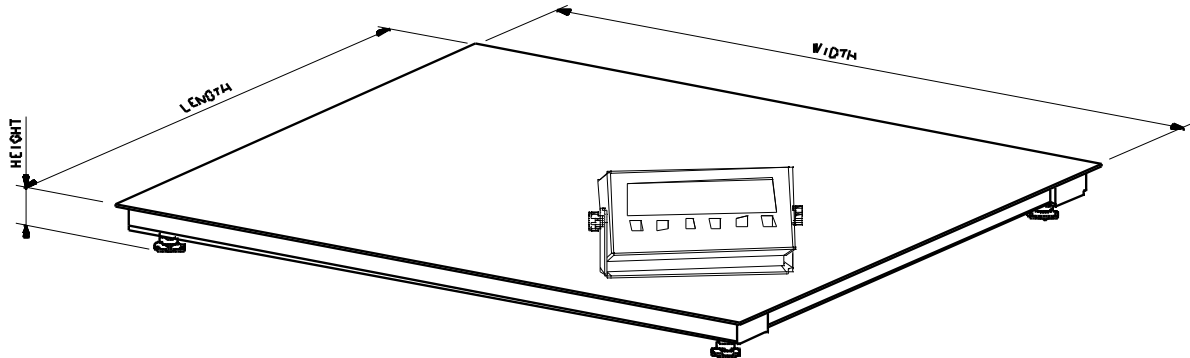




# API 13.390 Australian Approved Platform Scale Order Codes

Product Support

The PT Australian approved platform scales are available in a range of configurations with Australian approvals NMI 6/9C/292 and 6B/246. The construction can be painted steel, galvanized steel or stainless steel. Checker plate deck is standard as are self aligning adjustable feet. The platforms have die cast aluminium corner adjusting boxes sealed to IP67 and IP67 rated load cells. Optional indicator pole and ramps are available. The platforms can be purchased deck only and fitted to an indicator of the customers choice as long as compliance with local authority regulations is ensured.



Complete Scale. Deck complete with load cells, die cast cornering box, 5m cable and calibrated indicator shown included.

Model	Capacity	Finish	Length	Width	Height	Included Indicator	Scale Order Code	Weight
PS1212-0.6t	600 x 0.2kg	Painted	1.2m	1.2m	100mm	PT600R (EP600RI0020XXX)	PSP0012T600NS3	102kg
PS1212-0.6t	600 x 0.2kg	Galvanized	1.2m	1.2m	100mm	PT600R (EP600RI0020XXX)	PSG0012T600NS3	102kg
PS1212-0.6t	600 x 0.2kg	Stainless	1.2m	1.2m	100mm	PT600R (EP600RI0020XXX)	PSS0012T600NS3	102kg
PS1212-1.5t	1500 x 0.5kg	Painted	1.2m	1.2m	100mm	PT200M (EP200MI0020XXX)	PSP0012T1.5NS1	102kg
PS1212-1.5t	1500 x 0.5kg	Painted	1.2m	1.2m	100mm	PT200P (EP200PI0020XXX)	PSP0012T1.5NS2	102kg
PS1212-1.5t	1500 x 0.5kg	Galvanized	1.2m	1.2m	100mm	PT200M (EP200MI0020XXX)	PSG0012T1.5NS1	102kg
PS1212-1.5t	1500 x 0.5kg	Galvanized	1.2m	1.2m	100mm	PT200P (EP200PI0020XXX)	PSG0012T1.5NS2	102kg
PS1212-1.5t	1500 x 0.5kg	Stainless	1.2m	1.2m	100mm	PT200M (EP200MI0020XXX)	PSS0012T1.5NS1	102kg
PS1212-1.5t	1500 x 0.5kg	Stainless	1.2m	1.2m	100mm	PT200P (EP200PI0020XXX)	PSS0012T1.5NS2	102kg
PS1212-3t	3000 X 1kg	Painted	1.2m	1.2m	115mm	PT200M (EP200MI0020XXX)	PSP0012T003NS1	107kg
PS1212-3t	3000 X 1kg	Painted	1.2m	1.2m	115mm	PT200P (EP200PI0020XXX)	PSP0012T003NS2	107kg
PS1212-3t	3000 X 1kg	Galvanized	1.2m	1.2m	115mm	PT200M (EP200MI0020XXX)	PSG0012T003NS1	107kg
PS1212-3t	3000 X 1kg	Galvanized	1.2m	1.2m	115mm	PT200P (EP200PI0020XXX)	PSG0012T003NS2	107kg
PS1212-3t	3000 X 1kg	Stainless	1.2m	1.2m	115mm	PT200M (EP200MI0020XXX)	PSS0012T003NS1	107kg
PS1212-3t	3000 X 1kg	Stainless	1.2m	1.2m	115mm	PT200P (EP200PI0020XXX)	PSS0012T003NS2	107kg

Deck only options. Deck complete with load cells, die cast cornering box and 5m cable.

PS1212-0.6t	600 x 0.2kg	Painted	1.2m	1.2m	100mm	Deck only	PSP0012T600NSX	102kg
PS1212-0.6t	600 x 0.2kg	Galvanized	1.2m	1.2m	100mm	Deck only	PSG0012T600NSX	102kg
PS1212-0.6t	600 x 0.2kg	Stainless	1.2m	1.2m	100mm	Deck only	PSS0012T600NSX	102kg
PS1212-1.5t	1500 x 0.5kg	Painted	1.2m	1.2m	100mm	Deck only	PSP0012T1.5NSX	102kg
PS1212-1.5t	1500 x 0.5kg	Galvanized	1.2m	1.2m	100mm	Deck only	PSG0012T1.5NSX	102kg
PS1212-1.5t	1500 x 0.5kg	Stainless	1.2m	1.2m	100mm	Deck only	PSS0012T1.5NSX	102kg
PS1212-3t	3000 X 1kg	Painted	1.2m	1.2m	115mm	Deck only	PSP0012T003NSX	107kg
PS1212-3t	3000 X 1kg	Galvanized	1.2m	1.2m	115mm	Deck only	PSG0012T003NSX	107kg
PS1212-3t	3000 X 1kg	Stainless	1.2m	1.2m	115mm	Deck only	PSS0012T003NSX	107kg