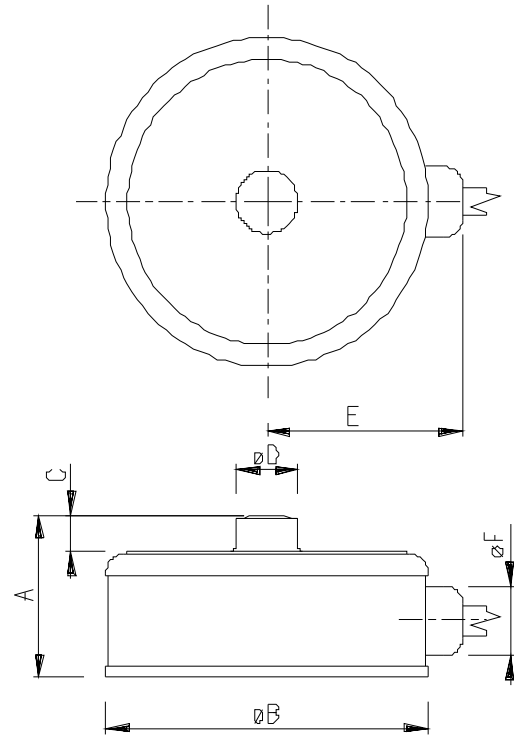


PT7000

STAINLESS MINI-DISC



- Fully Welded Stainless steel
- IP68 sealing, fully wash down proof
- Ideal for tanks and hoppers
- Replaces LPX



Capacity	Order	A	B	C	D	E	F	Cable (m)	Weight(kg)
100kg	70M0100S000XXX	25.0	52.0	5.0	10.0	31.0	10.5	3	0.4
250kg	70M0250S000XXX	25.0	52.0	5.0	10.0	31.0	10.5	3	0.4
500kg	70M0250S000XXX	25.0	52.0	5.0	10.0	31.0	10.5	3	0.4
1000kg	70M1000S000XXX	25.0	52.0	5.0	10.0	31.0	10.5	3	0.4
2500kg	70M2500S000XXX	25.0	52.0	5.0	10.0	31.0	10.5	3	0.4
5000kg	70M5000S000XXX	35.0	100.0	7.0	20.0	55.0	10.5	5	1.7
10000kg	70M010TS000XXX	35.0	100.0	7.0	20.0	55.0	10.5	5	1.7
25000kg	70M025TS000XXX	50.0	115.0	10.0	32.0	62.5	10.5	10	3.2
50000kg	70M050TS000XXX	55.0	155.0	13.0	45.0	82.5	10.5	10	7.0

Signal Output at Capacity.....2±0.02 mV/V
 Linearity Error.....< 0.070% FSO
 Non-Repeatability.....< 0.050% FSO
 Hysteresis.....< 0.050% FSO
 Creep/(30 mins.).....< 0.070% FSO
 Zero Balance.....< 1 % Capacity
 Temperature Effect on Span(/10C).....< 0.025% FSO
 Temperature Effect on Zero(/10C).....< 0.025% FSO
 Compensated Temperature Range.....-10 ~ 50 C
 Operating Temperature Range.....-20 ~ 65 C
 Storage Temperature Range.....-50 ~ 85 C
 Excitation +ve.....RED
 Signal +ve.....GREEN

Service Load.....100% Capacity
 Safe Load.....150% Capacity
 Safe Side Load.....10% Capacity
 Ultimate Load.....300% Capacity
 Input Resistance.....410Ω nominal
 Output Resistance.....350Ω ± 3Ω
 Insulation Resistance.....> 5000 MΩ (@50 VDC)
 Excitation Voltage(Rec).....5~15 V AC/DC
 Excitation Voltage(Max.).....20 V AC/DC
 Cable.....PUR Dia. 4.5~5.0 mm
 Material.....17-4PH Stainless Steel
 Excitation -ve.....Black
 Signal -ve.....White

R180514