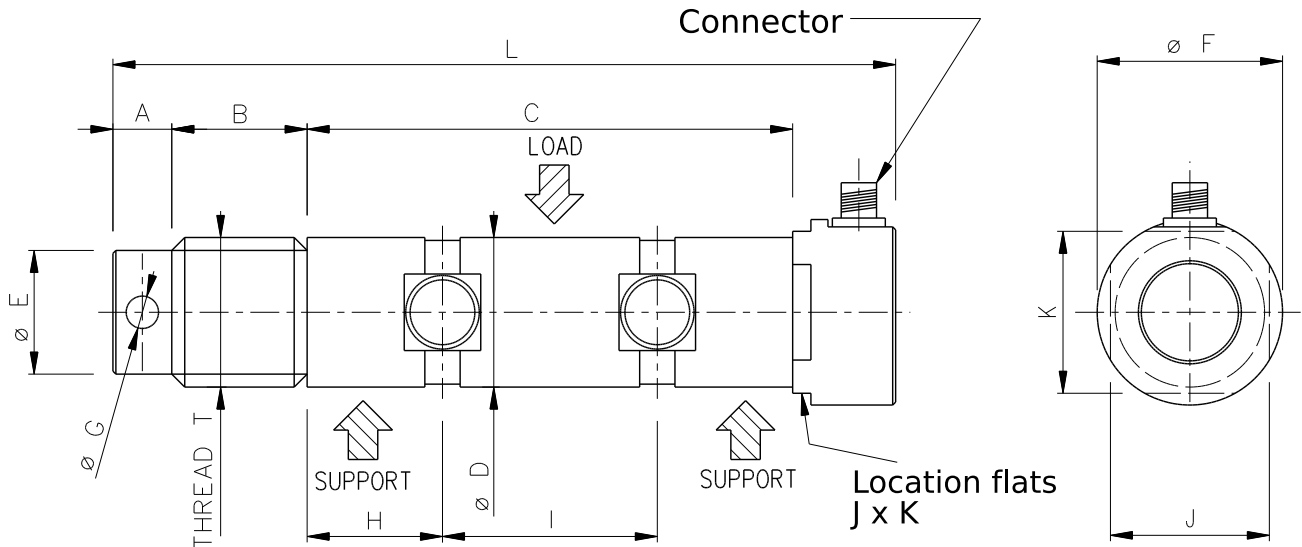




SLSP Standard Series-Order Codes



Capacity	Order	A	B	C	D	E	F	G	H	I	J	K	L	T	Weight(kg)
6.5t	SLSP6500S000XX	10.0	22.5	80	25.0	19.0	42.0	5.0	22.0	36.0	33	34	142.5	1" x 8 tpi UNC	0.9
12t	SLSP012TS000XX	15.0	31.5	115	35.0	25.0	52.0	8.5	32.0	51.0	41	42	191.5	1-3/8" x 6 tpi UNC	1.8
25t	SLSP025TS000XX	20.0	46.0	165	50.8	42.0	63.0	11.0	46.0	73.0	54	55	266.0	2" x 4.5 tpi UNC	4.5
55t	SLSP055TS000XX	25.0	63.0	235	70.0	62.0	88.0	15.0	65.0	105.0	74	75	358.0	2-3/4" x 4 tpi UNC	12.1

Typical Specifications*

Signal Output at Capacity.....	1.3 ~ 1.5 mV/V	Service Load.....	100% Capacity
Linearity Error.....	< 0.500% FSO	Safe Load.....	150% Capacity
Non-Repeatability.....	< 0.050% FSO	Safe Side Load.....	100% Capacity
Combined Error.....	< 1.000% FSO	Ultimate Load.....	300% Capacity
Hysteresis.....	< 0.100% FSO	Input Resistance.....	800Ω ± 50Ω
Creep/(30 mins.).....	< 0.100% FSO	Output Resistance.....	705Ω ± 5Ω
Zero Balance.....	< 1 % Capacity	Insulation Resistance.....	> 5000 MΩ (@50 VDC)
Temperature Effect on Span(/10C).....	< 0.030% FSO	Excitation Voltage(Rec).....	5~20 V AC/DC
Temperature Effect on Zero(/10C).....	< 0.070% FSO	Excitation Voltage(Max.).....	25 V AC/DC
Operating Temperature Range.....	-20 ~ 60 C	Cable (screw connector).....	M12 male 4 pole
Storage Temperature Range.....	-50 ~ 85 C	Material.....	17-4PH Stainless Steel

- * Specifications may vary depending upon installation and loading specifics.
- Construction is welded stainless steel 17-4PH, IP67, potted with DoubleSeal protection.
- The Standard Series SLSP fits a standard 2130 High Load shackle and can be purchased with optional centering sleeve and anti-rotation cleat.
- The SLSP is fitted with an integral M12 4 pole male sensor connector and supplied with the mating female connector. The mating connector accommodates PT cable packs diameter 4~8mm (not supplied). The connector terminals are numbered and should be connected.
1- Excitation +ve, 2- Excitation -ve, 3- Signal -ve, 4-Signal +ve. For 6 wire cables connect the appropriate Sense and Excitation wires to the same connector terminal.

The SLSP (Stainless Load Sensing Pin) is a practical measurement device and is rarely fitted to an installation designed for precision weighing. Many of the variables eliminated from accurate weighing installations (side loads, variable contact point, friction, bridging, twisting) cannot be eliminated from a SLSP installation and consequently the performance becomes a compromise. Specifications quoted by PT are those typically achieved under controlled conditions and do not necessarily represent installed conditions.