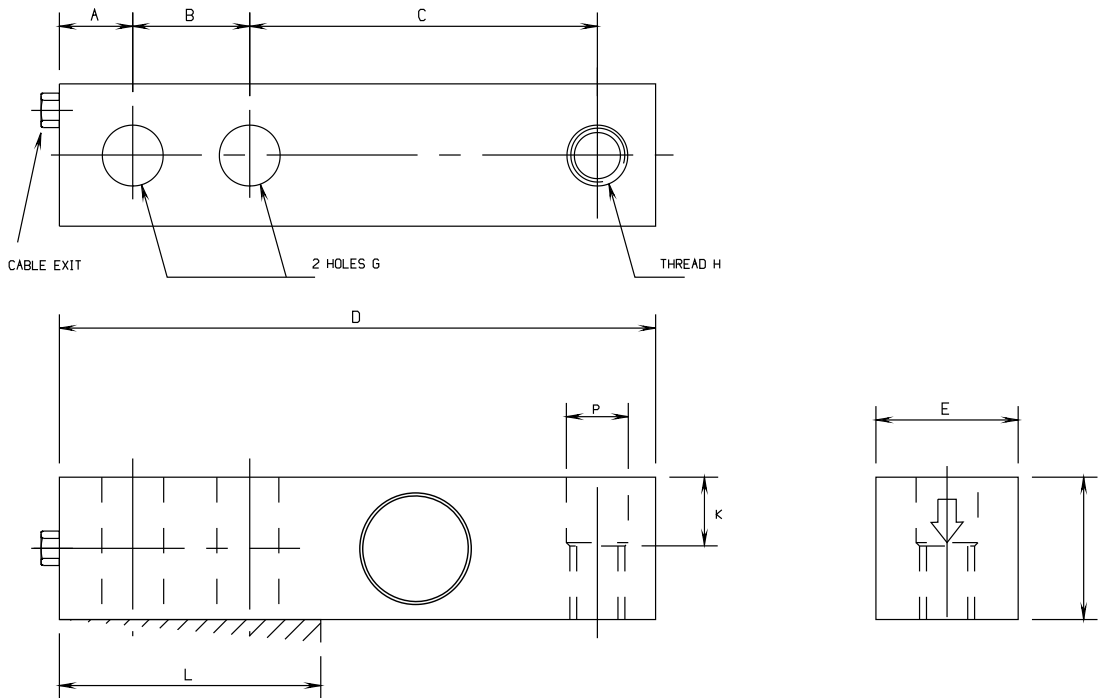




PT5100 Series-Order Codes



Dimensions in mm and kg.

Capacity	Order	A	B	C	D	E	F	G	H	K	L	P	Weight(kg)
500kg	51M0500S000XXX	16.0	25.4	76.2	130.0	30.8	30.8	13.5	M12 x 1.75P	16.0	57.2	13.5	1.14
1000kg	51M1000S000XXX	16.0	25.4	76.2	130.0	30.8	30.8	13.5	M12 x 1.75P	16.0	57.2	13.5	1.14
2000kg	51M2000S000XXX	16.0	25.4	76.2	130.0	30.8	30.8	13.5	M12 x 1.75P	16.0	57.2	13.5	1.14
3000kg	51M3000S000XXX	19.0	38.1	95.3	171.5	38.1	38.1	20.5	M20 x 2.5P	19.0	76.2	20.5	1.94
5000kg	51M5000S000XXX	19.0	38.1	95.3	171.5	38.1	38.1	20.5	M20 x 2.5P	19.0	76.2	20.5	1.94

Specifications

Signal Output at Capacity.....	2±0.005mV/V	Service Load.....	100% Capacity
Linearity Error.....	< 0.020% FSO	Safe Load.....	150% Capacity
Non-Repeatability.....	< 0.010% FSO	Safe Side Load.....	100% Capacity
Combined Error.....	< 0.020% FSO	Ultimate Load.....	300% Capacity
Hysteresis.....	< 0.020% FSO	Input Resistance.....	350Ω ± 3Ω
Creep/(30 mins.).....	< 0.020% FSO	Output Resistance.....	350Ω ± 3Ω
Zero Balance.....	< 1 % Capacity	Insulation Resistance.....	> 5000 MΩ (@50 VDC)
Temperature Effect on Span(/10C).....	< 0.015% FSO	Excitation Voltage(Rec).....	5~15 V AC/DC
Temperature Effect on Zero(/10C).....	< 0.015% FSO	Excitation Voltage(Max.).....	18 V AC/DC
Operating Temperature Range.....	-20 ~ 65 C	Cable.....	6m Dia. 4.5~5.0 mm
Storage Temperature Range.....	-50 ~ 85 C	Material.....	17-4PH Stainless Steel
Excitation +ve.....	RED	Excitation -ve.....	Black
Signal +ve.....	GREEN	Signal -ve.....	White

- Construction is welded stainless steel sealed to IP68