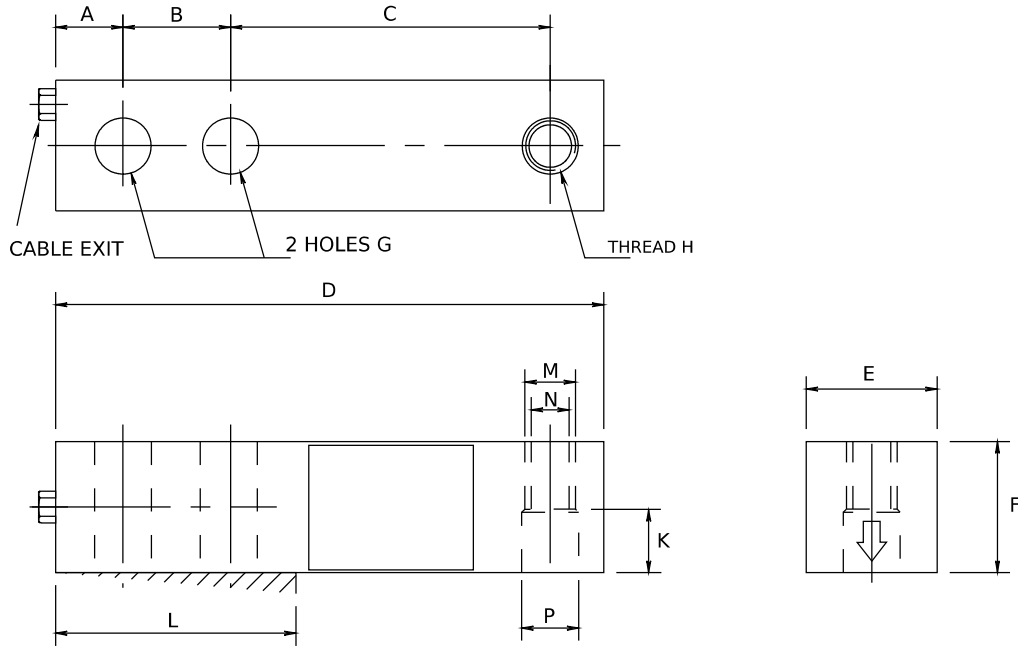




PT LCSB Shear Beam Load Cell



Dimensions in mm and kg

Capacity	Order	A	B	C	D	E	F	G	H	K	L	P	Cable	Weight
500kg	LSB0500T000XXX	15.8	25.4	76.2	130.0	31.8	31.8	13.5	M12 x 1.75P	16.0	57.2	13.5	4m PUR	0.9 each
1000kg	LSB1000T000XXX	15.8	25.4	76.2	130.0	31.8	31.8	13.5	M12 x 1.75P	16.0	57.2	13.5	4m PUR	0.9 each
1500kg	LSB1500T000XXX	15.8	25.4	76.2	130.0	31.8	31.8	13.5	M12 x 1.75P	16.0	57.2	13.5	4m PUR	0.9 each
2000kg	LSB2000T000XXX	15.8	25.4	76.2	130.0	31.8	31.8	13.5	M12 x 1.75P	16.0	57.2	13.5	4m PUR	0.9 each
2500kg	LSB2500T000XXX	19.1	38.1	95.3	171.5	38.1	38.1	19.8	M18 x 1.5P	19.0	76.2	19.8	6m PUR	1.9 each
3000kg	LSB3000T000XXX	19.1	38.1	95.3	171.5	38.1	38.1	19.8	M18 x 1.5P	19.0	76.2	19.8	6m PUR	1.9 each
5000kg	LSB5000T000XXX	19.1	38.1	95.3	171.5	38.1	38.1	19.8*	M18 x 1.5P	19.0	76.2	19.8	6m PUR	1.9 each
10000kg	LSB010TT000XXX	25.4	50.8	120.7	222.3	50.8	50.8	26.9	M24 x 2.0P	25.4	101.6	26.0	6m PUR	4.4 each

*Use of a fastener with a strength less than a 3/4" UNF grade 9 bolt is not recommended where the fixing should match the strength of the load cell.

Specifications

Signal Output at Capacity.....3±0.25% mV/V
 Linearity Error.....< 0.020% FSO
 Non-Repeatability.....< 0.010% FSO
 Combined Error.....< 0.030% FSO
 Hysteresis.....< 0.030% FSO
 Creep/(30 mins.).....< 0.030% FSO
 Zero Balance.....< 1 % Capacity
 Temperature Effect on Span(/10C).....< 0.02% FSO
 Temperature Effect on Zero(/10C).....< 0.02% FSO
 Operating Temperature Range.....-35 ~ +70 C
 Storage Temperature Range.....-50 ~ +85 C
 Compensated Temperature Range.....-10 ~ +40 C

Service Load.....100% Capacity
 Safe Load.....150% Capacity
 Safe Side Load.....100% Capacity
 Ultimate Load.....300% Capacity
 Input Resistance.....350Ω ± 3.5Ω
 Output Resistance.....350Ω ± 3.5Ω
 Insulation Resistance.....> 5000 MΩ (@50 VDC)
 Excitation Voltage(Rec).....5~15 V AC/DC
 Excitation Voltage(Max.).....18 V AC/DC
 Cable.....4 core, screened, Dia. 5.0 mm
 Material.....Alloy Tool Steel
 Protection.....Nickel plating, IP67

Excitation +ve.....RED
 Signal +ve.....GREEN

Excitation -ve.....BLACK
 Signal -ve.....WHITE