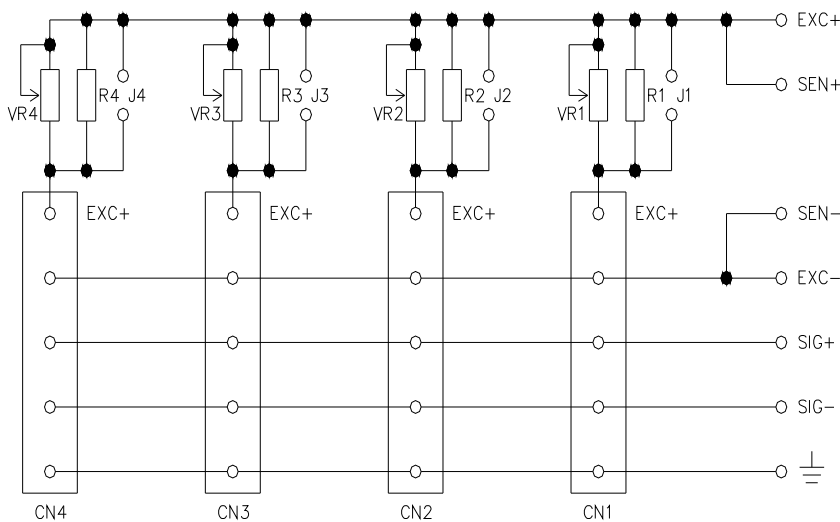




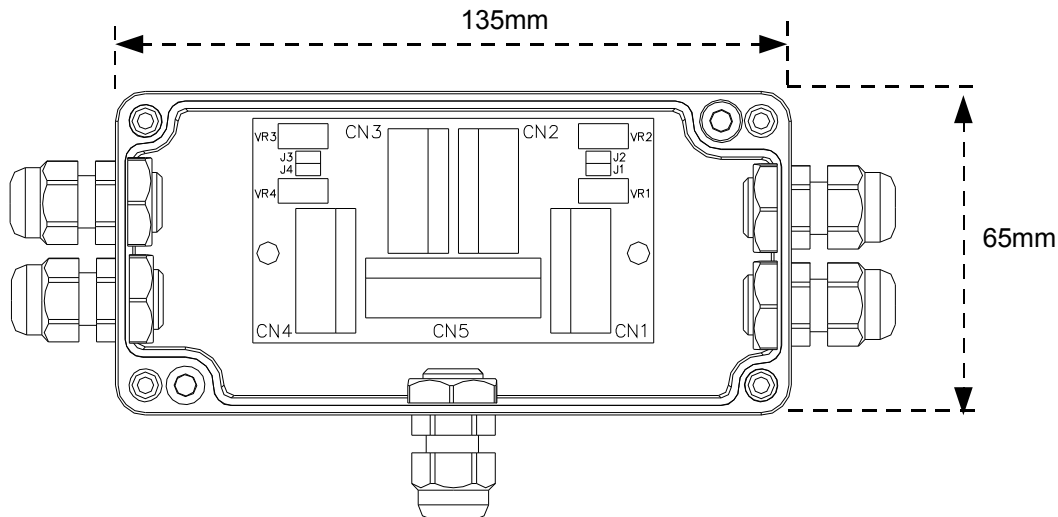
FEATURES

- Waterproof IP 67 aluminum case and nylon PA66 clamping glands
- 2 to 4 load cell inputs
- Compact size (135x65x38mm)
- Accepts cables from 3.5mm to 7.0mm in diameter
- Adjustment range: Approximately 4.2% of output for 350 ohm cells
- Unlimited extension for load cell connection

CONNECTIONS



COMPONENT LAYOUT & DIMENSIONS



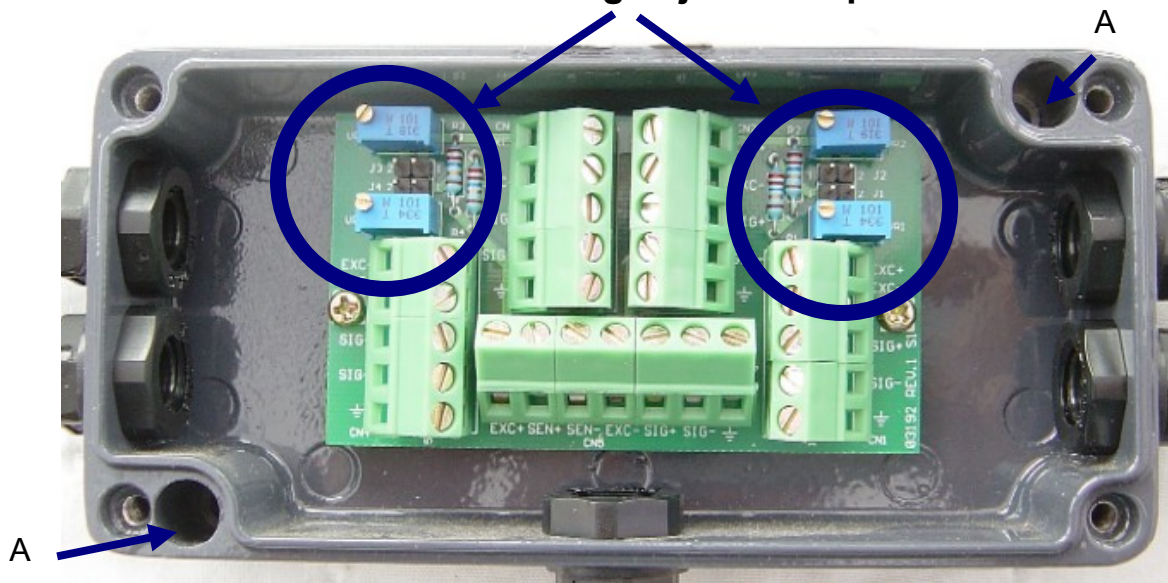


LOAD CELL JUNCTION BOX CORNERING INSTRUCTIONS

DESCRIPTION

The cornering PCB is housed in an IP67 sealed aluminum die-cast box which is secured to the underside of the platform via the fixing holes marked 'A' on the photograph (NOTE: the holes may need to be drilled through prior to installation). The load cell cables are connected to individual 5 way terminal blocks and each load cell connection is provided with a trim pot for cornering adjustment. The junction box supports the connection of a 6 wire indicator cable to facilitate reference return via the 7 way terminal block for the indicator cable. The trim pot adjustment provides up to a maximum of 4.2% of cornering adjustment for a 350 ohm load cell. If cornering adjustment is not required then the adjustment pots can be made inoperative by fitting jumpers to J1, J2, J3 and J4. If 6 wire load cells are to be used connect the load cell sense wires with the excitation wires (+ve to +ve, -ve to -ve) into the appropriate excitation terminal.

Location of cornering adjustment pots



CORNERING ADJUSTMENT

1. Before calibration starts ensure that all four jumpers are removed from J1, J2, J3 & J4 and that all trim pots are adjusted so that they are not influencing the cornering. This is achieved by turning the pots VR1 (T1) and VR2 (T2) fully anti-clockwise and the pots VR3 (T3) and VR4 (T4) fully clockwise at least 20 turns or until the end stop is reached which may be indicated by a clicking sound.
2. As the trim pots VR1 (T1) and VR2 (T2) are turned clockwise and the pots VR3 (T3) and VR4 (T4) are turned anti-clockwise they will reduce the load cell output. Place the cornering load on all four corners in turn and note the highest reading. Turn the appropriate trim pot to reduce the highest reading until it is the same as the lowest corner. (VR1 [T1] for load cell 1, VR2 [T2] for load cell 2, VR3 [T3] for load cell 3 & VR4 [T4] for load cell 4)
3. Repeat the adjustment as necessary for the other corners until all corners read the same weight when the cornering load is applied.