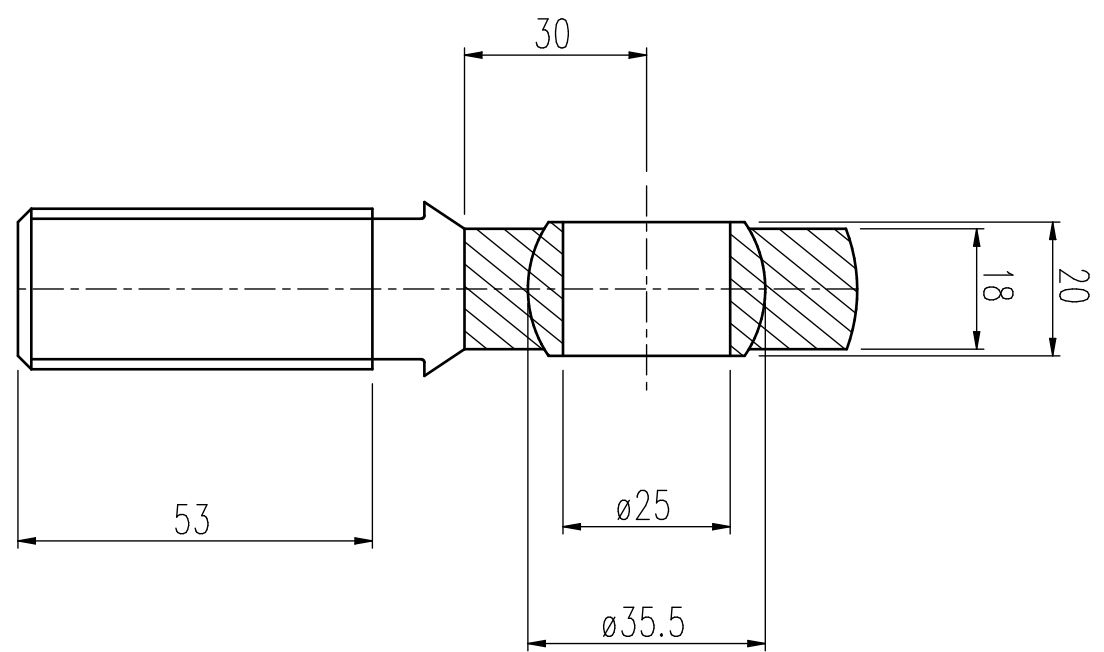
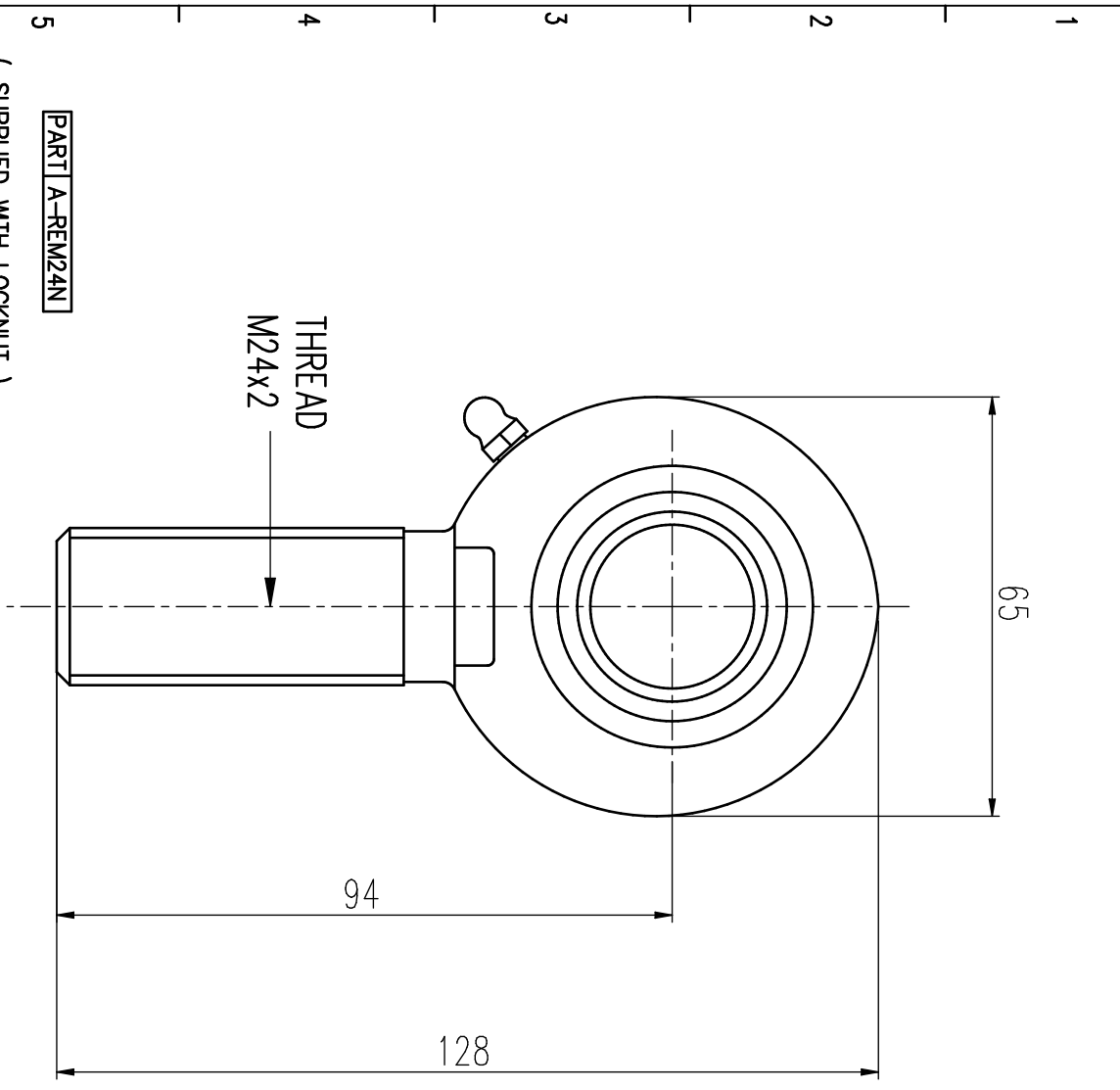


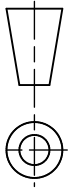
A B C D E F G H I J



(SUPPLIED WITH LOCKNUT)

PART A-REM24N

IT IS THE SUPPLIERS RESPONSIBILITY TO ENSURE THAT THIS DRG.No. AND REVISION MATCHES THAT OF THE OFFICIAL ORDER AND/OR AMENDMENT



PT Ltd.
 www.pt-global.com
...better value by design

ROD END BEARING A-REM24N

UNITS: mm	ISSUED:	CHANGE:	REDRAWN
NOT TO SCALE	DRAWN: 13-08-2001	REVISION: 02	DATE: 1-11-2013
CHKD:	DWG. No: ACC\APL\A-REM24		