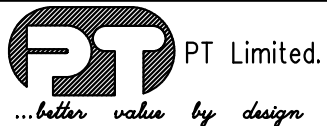
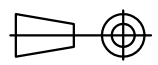
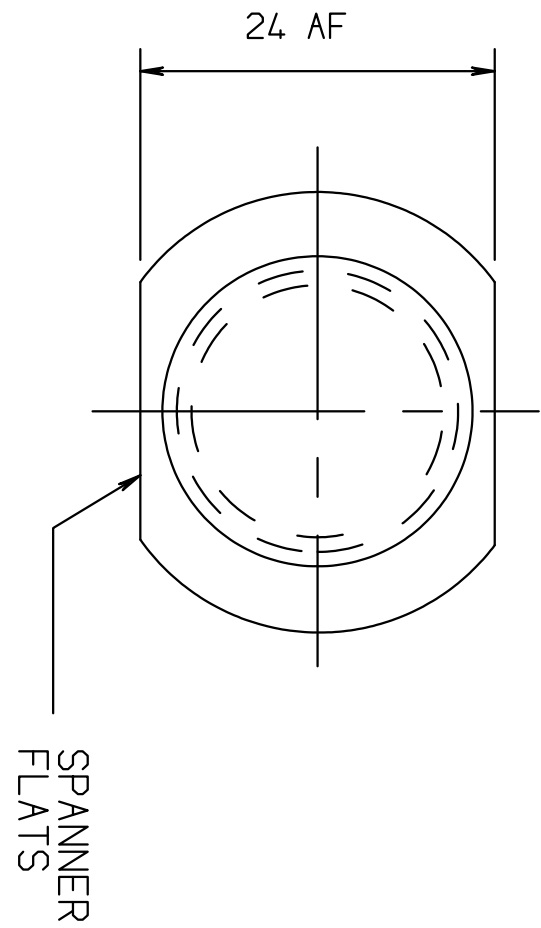
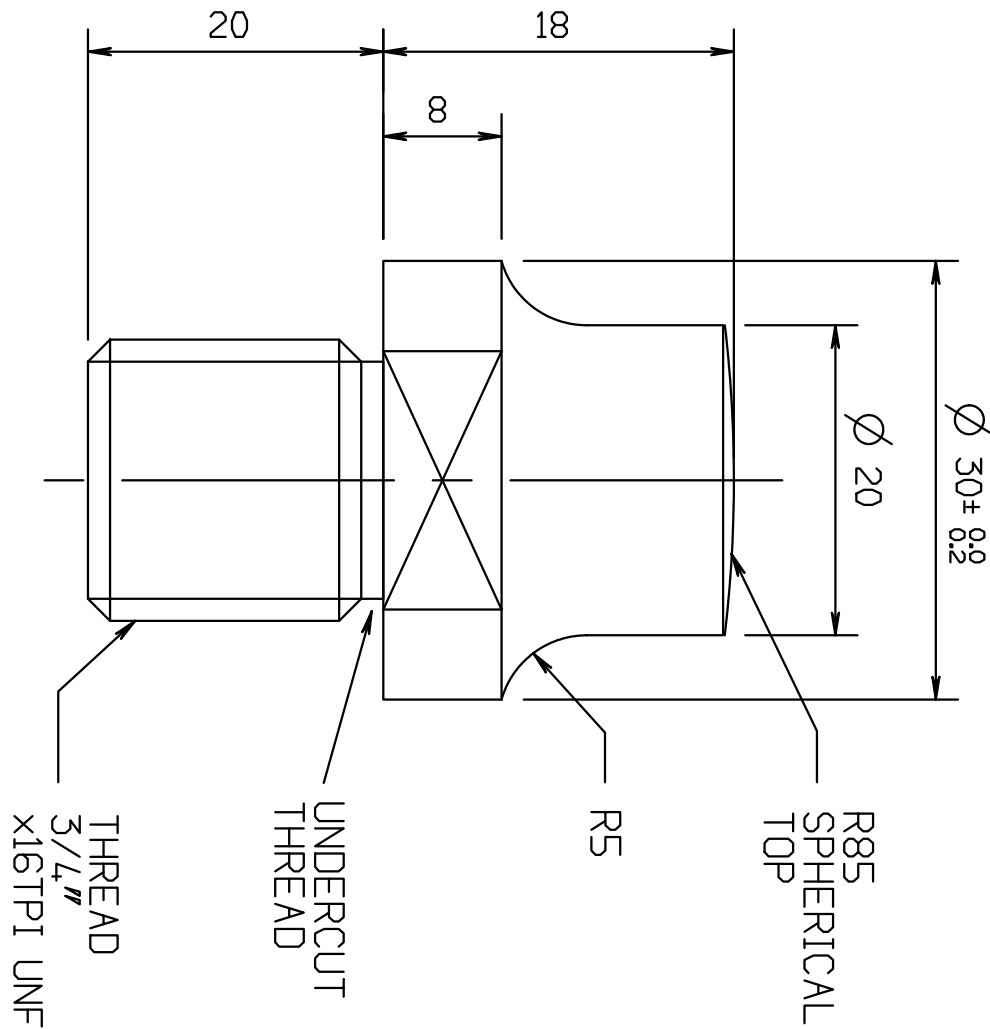


PART A-LB0.750



LOAD BUTTON A-LB0.750

UNITS:	mm	ISSUED:	BY:	DRAWN:	21-03-1996	©
SCALE:	not to scale	CHANGE:		REVISION:	01	DATE: 20-06-1996
CHKD:		APPROVED:		DWG No.:	\ACC\APLN\A-LB0750	