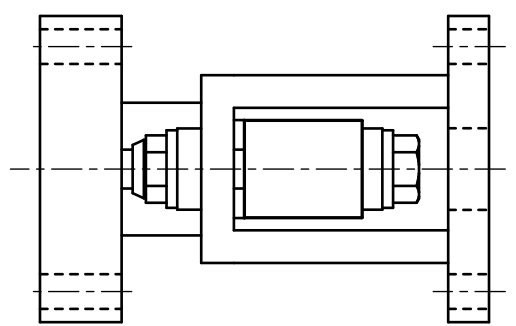
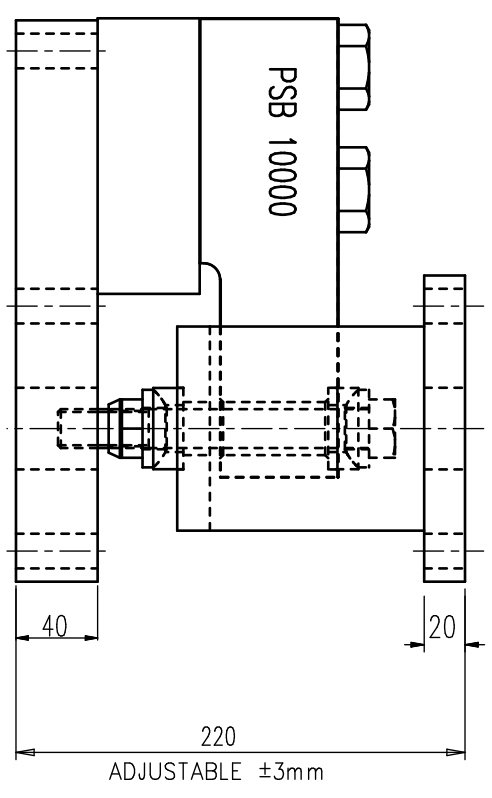
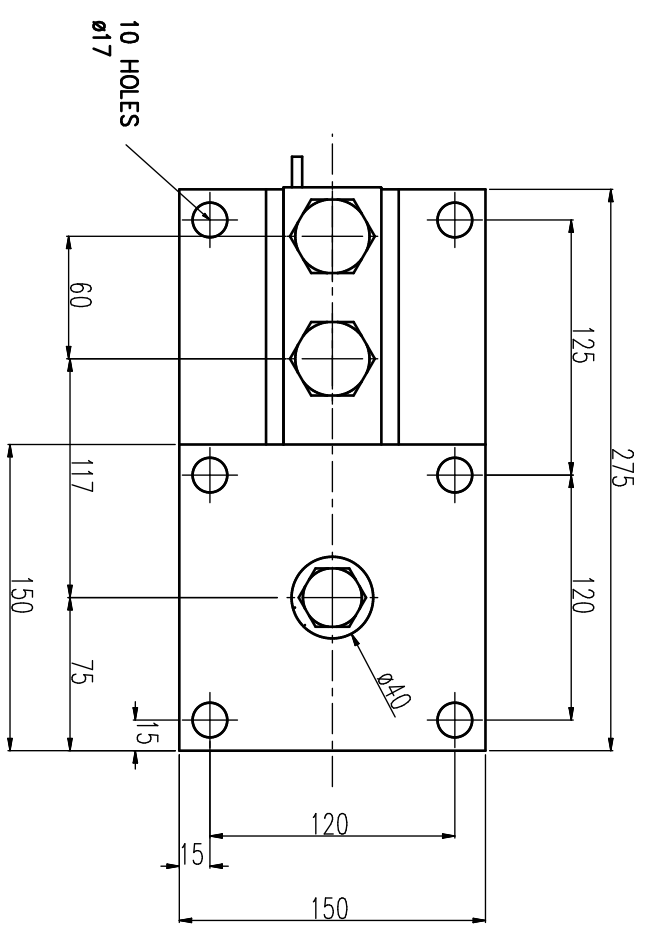
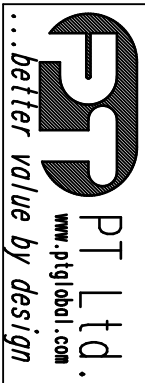


A B C D E F G H I J



PART M-PSB-10

IT IS THE SUPPLIERS RESPONSIBILITY TO ENSURE THAT THIS DRG.No. AND REVISION MATCHES THAT OF THE OFFICIAL ORDER AND/OR AMENDMENT



COMPLETE MOUNT M-PSB-10t

DIMENSIONS WITHOUT TOLERANCE ARE BASIC ISO 1101:2004		ISO 13715		ISO 1302			
		ISO 13715		ISO 1302			
ISSUED: 23-05-2014	DATE: 9-4-2015	CHANGE: HEIGHT CORRECTED	REVISION: 04				
CHKD: ACC\APLN\M-PSB-10							