

Models PT5000

RECTANGULAR SHEARBEAM LOAD CELL



Feature packed and technology driven, the PT5000 is an advanced high technology shearbeam. Our flagship design meets the highest standards worldwide.

Manufactured in both imperial and metric capacities the PT5000 is approved in many jurisdictions around the world.

Being industry standard in size it replaces many older less accurate shearbeams, which have much lower environmental protection. 6 metric capacities from 250kg to 5t and 6 imperial capacities from 500lb to 10klb allows the professional scale manufacturer to standardise their whole platform scale offering using one single model, reducing spares holdings and increasing brand awareness.

The PT5000 is an ideal selection for the volume OEM scale manufacturer, high resolution class III L:10,000 and III:9500 NTEP device, and similar approvals in other areas. It is insensitive to axial loads, yet super accurate.

Constructed in alloy tool steel and electroless nickel plated for lifelong protection, offered with a selection of mounting accessories.

APPLICATIONS

- Floor scales
- Hopper, silo & bin weighing
- Hopper scales & net weighing scales

FEATURES

- High accuracy solid construction
- Approved in many jurisdictions
- Industry standard allows easy interchange
- Offered in metric and imperial capacities
- Matched mV/V outputs

Specifications

Note: All specifications are a maximum, as a % (±) of full load, unless otherwise stated.

Nominal Capacity	500lb ~ 10klb 250kg ~ 5t	Safe Load	150% of Rated Capacity
Signal Output at Capacity	3mV/V ± 0.1%	Safe Sideload	100% of Rated Capacity
Linearity Error	< 0.017% FSO	Ultimate Load	300% of Rated Capacity
Non-Repeatability	< 0.010% FSO	Input Resistance	415Ω ± 15Ω
Combined Error	< 0.023% FSO	Output Resistance	352Ω ± 3Ω
Hysteresis	< 0.020% FSO	Insulation Resistance	> 5000 MΩ at 100V DC
Creep/Zero Return (30 mins)	< 0.023% / 0.017% FSO	Excitation Voltage (Recommended)	5 ~ 15V AC/DC
Zero Balance	< 1.000% Capacity	Excitation Voltage (Maximum)	18V AC/DC
Temperature Effect on Span/10°C	< 0.010% FSO	Storage Temperature Range	60 ~ 185°F / -50 ~ 85°C
Temperature Effect on Zero/10°C	< 0.015% Capacity	Cable Type	4.5mm, Screened, PUR Sheath 4 Core x 0.24mm ² (24 AWG)
Compensated Temperature Range	14 ~ 104°F / -10 ~ 40°C	Cable Length	20 Feet / 6 Metres
Operating Temperature Range	0 ~ 150°F / -18 ~ 65°C	Material	Alloy Tool Steel
Service Load	100% of Rated Capacity	Finish	Electroless Nickel Plated



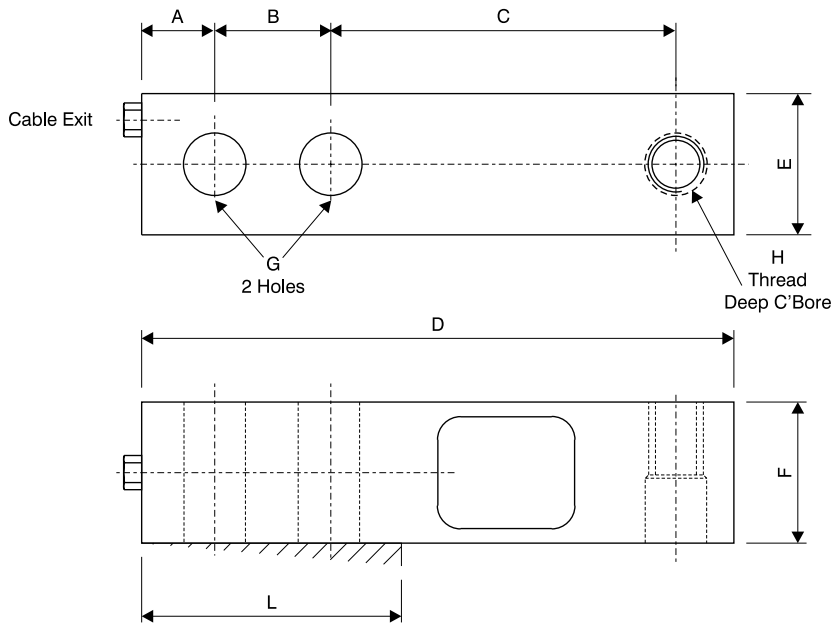
Manufactured in New Zealand

PT Limited®
<http://www.ptglobal.com>

Ordering Information

MODEL	Part Number	MODEL	Part Number	CABLES PACKS	Part Number
PT5000-500lb	50P0500T000XXX	PT5000-250kg	50M0250T000XXX	Junction box to indicator runs. Available by the metre.	
PT5000-1klb	50P1000T000XXX	PT5000-500kg	50M0500T000XXX	10 Metres	A-4C4.5-0010
PT5000-2.5klb	50P2500T000XXX	PT5000-1t	50M1000T000XXX	50 Metres	A-4C4.5-0050
PT5000-4klb	50P4000T000XXX	PT5000-2t	50M2000T000XXX	100 Metres	A-4C4.5-0100
PT5000-5klb	50P5000T000XXX	PT5000-2.5t	50M2500T000XXX	Cable Joint Kit	A-CAB-JOINTSTD
PT5000-10klb	50P10KBT000XXX	PT5000-5t	50M5000T000XXX		

ACCESSORIES	Part Number						
	250kg ~ 1t	2t	2.5t ~ 5t	500lb ~ 2.5klb	4klb	5klb	10klb
Load Button	A-LBM12	A-LBM12	A-LBM18	A-LB0.500	A-LB0.500	A-LB0.750	A-LB0.750
Load socket	A-LS20	A-LS20	A-LS30	A-LS20	A-LS20	A-LS30	A-LS30
Rod End	A-REMI2N	N/A	N/A	A-RE0.500N	A-RE0.500-2N	A-RE0.750-2N	A-RE0.750-5N
Swivel Foot	A-SFM12	A-SFM12	N/A	A-SF0.500	A-SF0.500	N/A	N/A



Load Cell Dimensions

	A	B	C	D	E	F	G	H	L	Deflection	Weight
500lb	0.63	1.00	3.00	5.12	1.25	1.25	0.53	½-20 UNF-2B Ø 0.53 x 0.50	2.25	0.013	1.7
1klb ~ 4klb	0.63	1.00	3.00	5.12	1.25	1.25	0.53	½-20 UNF-2B Ø 0.53 x 0.62	2.25	0.017 ~ 0.025	4.0
5klb ~ 10klb	0.75	1.50	3.75	6.75	1.50	1.50	0.78	¾-16 UNF-2B Ø 0.78 x 0.75	3.00	0.025 ~ 0.035	6.5
<i>Dimensions in inches Weight in lb</i>											
250kg	16.0	25.4	76.2	130.0	32.0	32.0	13.5	M12 x 1.75-6H Ø 13.5 x 16.0	57.2	0.33	0.8
500kg ~ 2t	16.0	25.4	76.2	130.0	32.0	32.0	13.5	M12 x 1.75-6H Ø 13.5 x 16.0	57.2	0.432 ~ 0.635	1.8
2.5t ~ 5t	19.0	38.1	95.3	171.5	38.1	38.1	20.5	M18 x 2.50-6H Ø 20.5 x 19.0	76.2	0.635 ~ 0.889	2.9
<i>Dimensions in mm Weight in kg</i>											

Accessories

PT Cable Colour Code

Excitation	+ve	Red
Sense	+ve	Brown
Excitation	-ve	Black
Sense	-ve	Blue
Signal	+ve	Green
Signal	-ve	White

